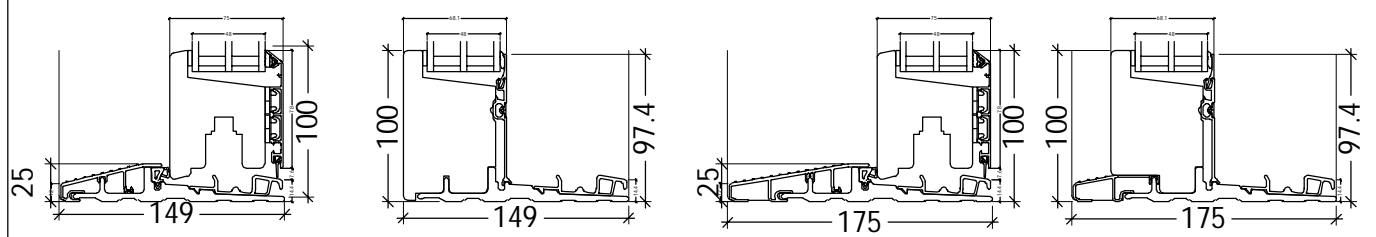
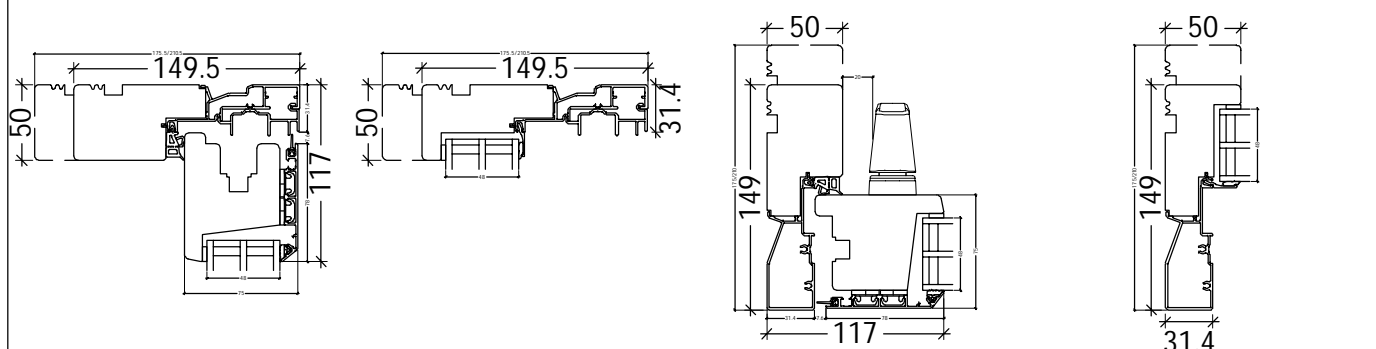


V2/V8: NATic29-82L48  
 V6: NATic29-82L48(mirr.)  
 V7: NATic29-83L48

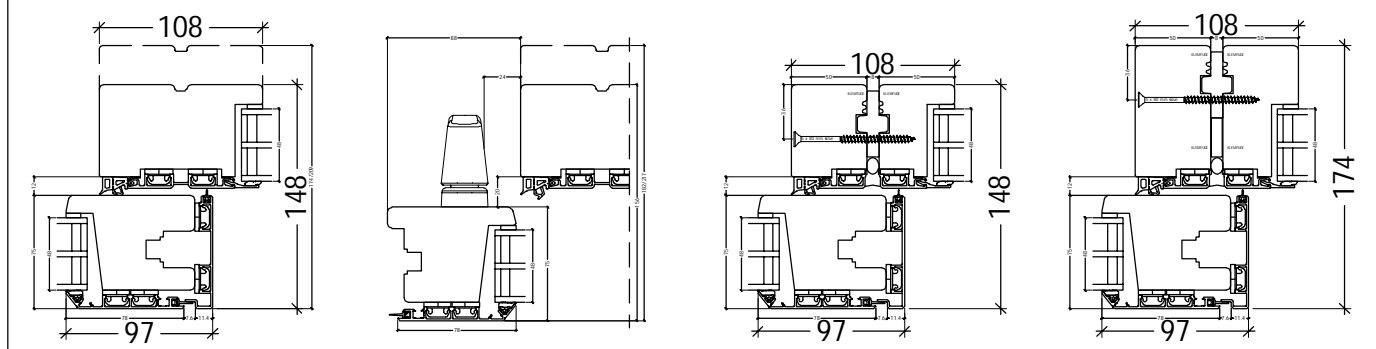
Stilsprosser i gående ramme, se tegning NATic\_01\_3 - Udadgående vinduer og fast karm - 3-lags rude.  
 Stilsprosser i stående del, se tegning FRAic\_29\_3 - IC skydedør - 3-lags rude.  
 Styling bar at sliding part, see drawing NATic\_01\_3 - Outward opening windows and fixed light - 3-layer panes.  
 Styling bar at standing part, see drawing FRAic\_29\_3 - IC sliding door - 3-layer panes.



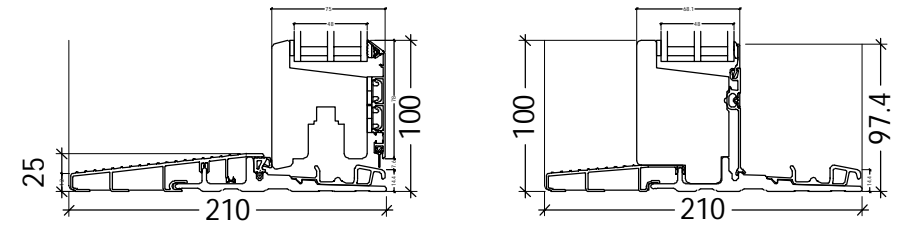
L2/L8: NATic29-10L48    L4/L6: FRAic29-11L48    L2/L8: NATic29-12L48    L4/L6: FRAic29-13L48



L1/L7: NATic29-20L48    L3/L5: FRAic29-21L48    V1: NATic29-30L48    V3/V9: FRAic29-31L48(mirr.)  
 V5: FRAic29-31L48



V2: NATic29-50L48    V2: NATic29-51L48    V2/V8: NATic29-80L48    V2/V8: NATic29-81L48  
 V6: NATic29-80L48(mirr.)    V6: NATic29-81L48(mirr.)



L2/L8: NATic29-14L48    L4/L6: FRAic29-15L48

DK	IC Skydedør - 3-lags rude	www.idealcombi.dk
UK	IC Sliding door - 3-layer glazing	www.idealcombi.com