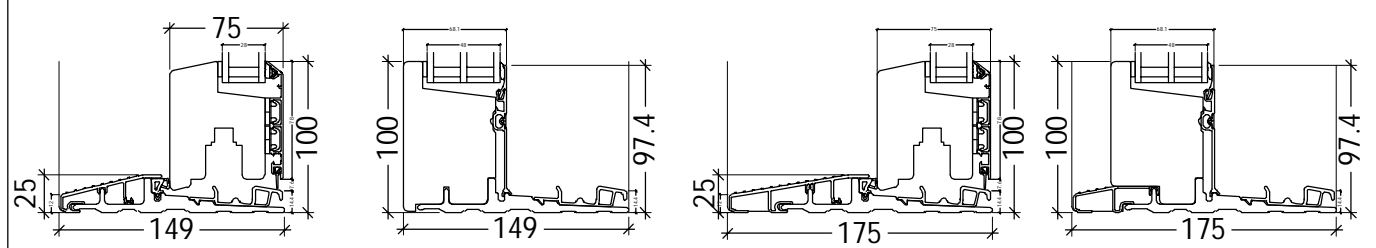
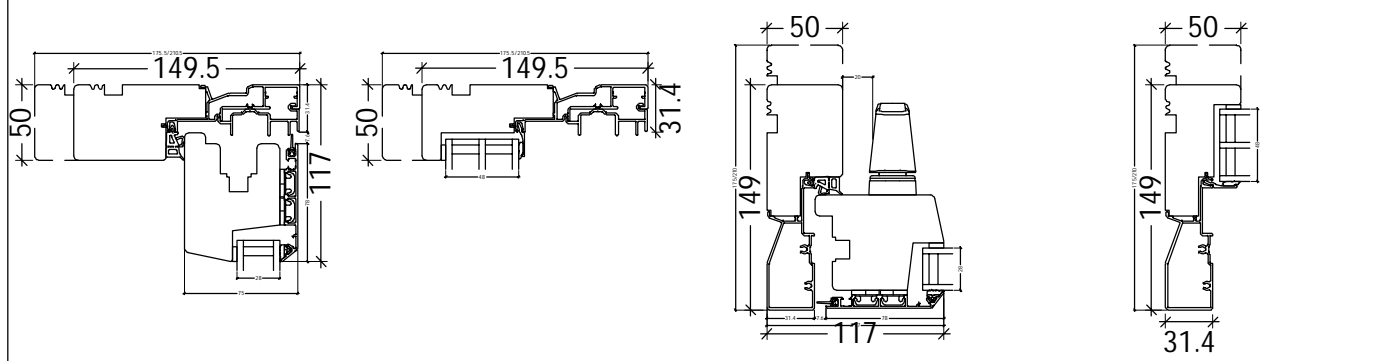


V2/V7: NATic29-82L28-48
 V5: NATic29-82L28-48(mirr.) V6: NATic29-83L28

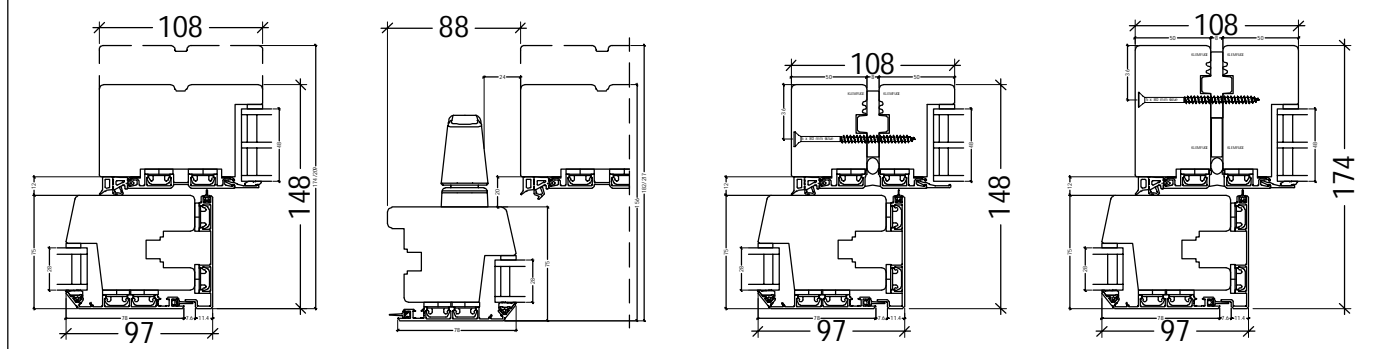
Stilsprosser i gående ramme, se tegning NATic_01_2 - Udadgående vinduer og fast karm - 2-lags rude.
 Stilsprosser i stående del, se tegning FRAic_29_3 - IC skydedør - 3-lags rude.
 Styling bar at sliding part, see drawing NATic_01_2 - Outward opening windows and fixed light - 2-layer panes.
 Styling bar at standing part, see drawing FRAic_29_3 - IC sliding door - 3-layer panes.



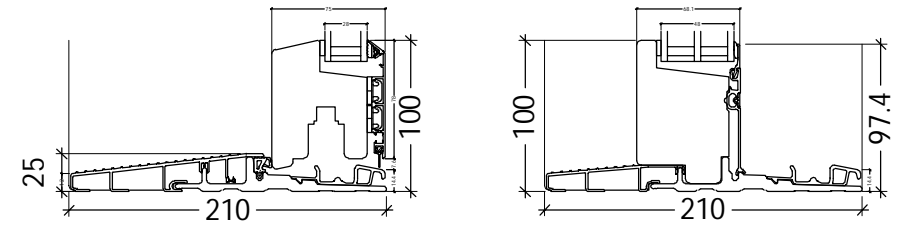
L2/L8: NATic29-10L28 L4/L6: FRAic29-11L48 L2/L8: NATic29-12L28 L4/L6: FRAic29-13L48



L1/L7: NATic29-20L28 L3/L5: FRAic29-21L48 V1: NATic29-30L28 V3/V8: FRAic29-31L48(mirr.)
 V4: FRAic29-31L48



V2: NATic29-50L28-48 V2: NATic29-51L28 V2/V7: NATic29-80L28-48 V2/V7: NATic29-81L28-48
 V5: NATic29-80L28-48(mirr.) V5: NATic29-81L28-48(mirr.)



L2/L8: NATic29-14L28 L4/L6: FRAic29-15L48

| | | |
|--|-----------------------------------|------------------------|
| DK | IC Skydedør - 2-lags rude | www.idealcombi.dk |
| UK | IC Sliding door - 2-layer glazing | www.idealcombi.com |
| TYPE | Nation IC | Rev. no. 01 |
| | | Drawing no. NATic_29_2 |
| © Idealcombi A/S 2011. This material is the property of and copyright protected by IDEALCOMBI A/S. | | |

