

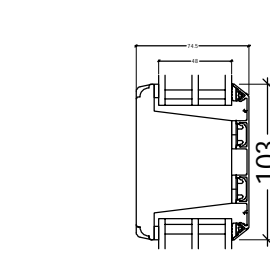
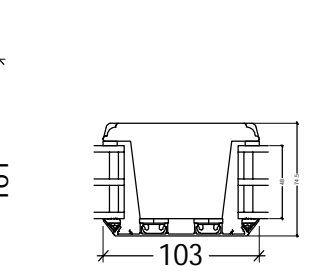
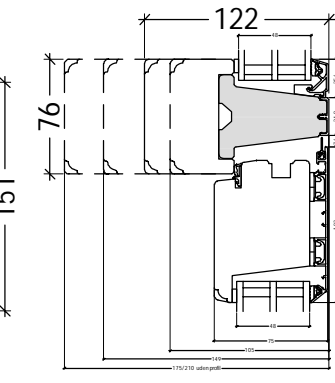
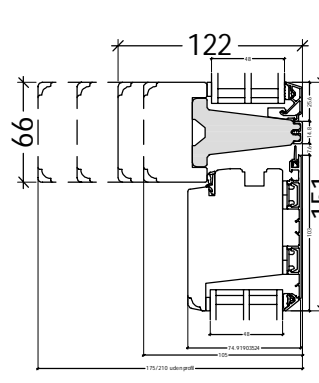
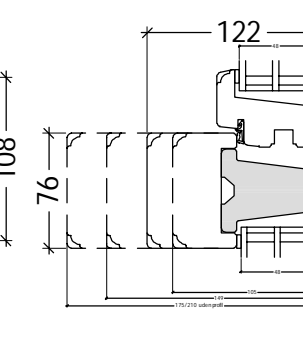
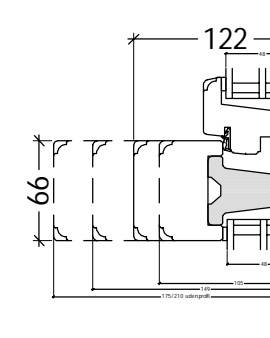
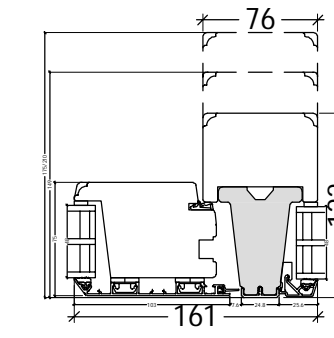
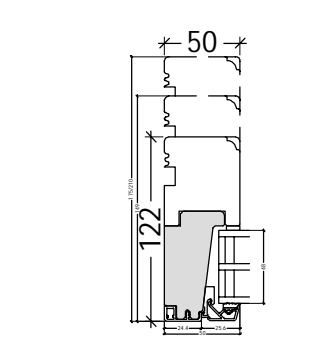
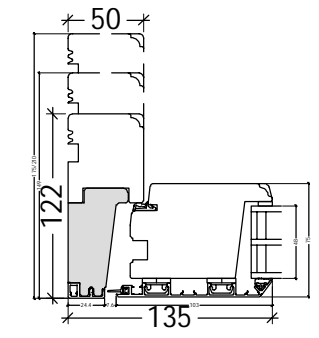
V1: NATic21-30L48
V8: NATic21-30L48(mirr.)

V5: FRAic21-31L48(mirr.)
V6: FRAic21-31L48

V4: NATic21-50L48
V7: NATic21-50L48(mirr.)

L6: NATic01-43L48

L6: NATic01-44L48



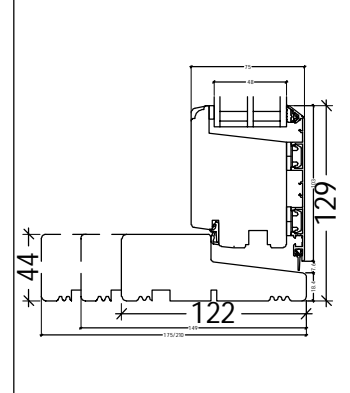
L7: NATic21-40L48

L7: NATic21-41L48

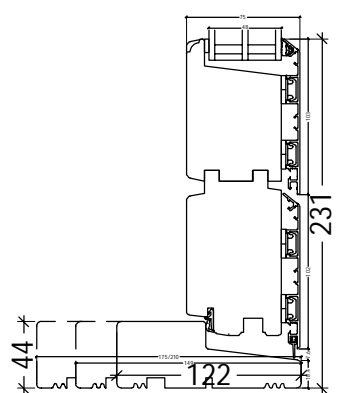
V2: NATic21-70L48

L3: NATic21-60L48

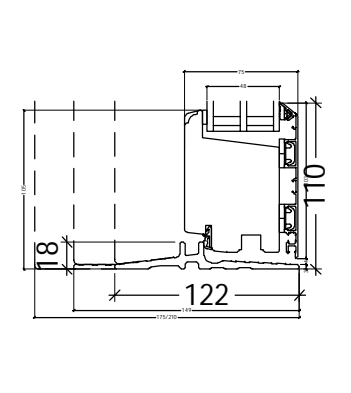
Sprosse og stilsprosser ses på tegning NATic_01_3 - Udadgående vinduer og fast karm - 3-lags rude.
Glazing bar and styling bar can be seen at drawing NATic_01_3 - Outward opening windows and fixed light - 3-layer panes.



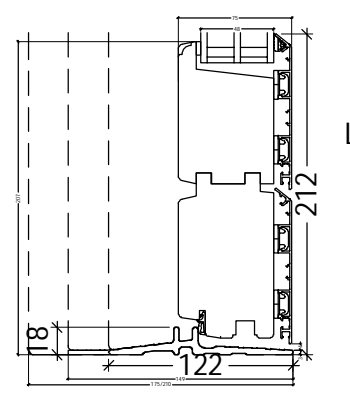
L2: NATic21-10L48



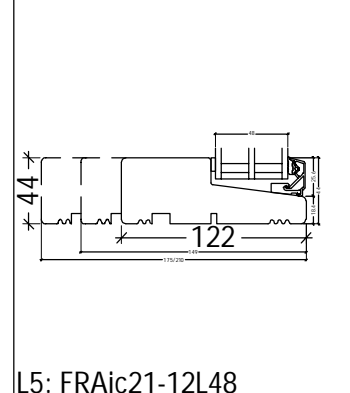
L2: NATic21-11L48



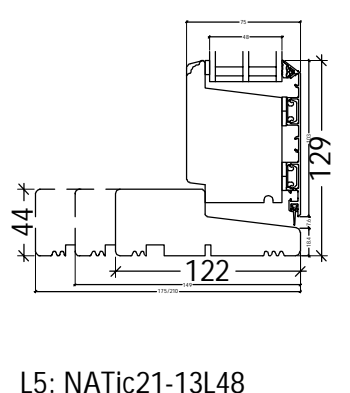
L2: NATic21-15L48



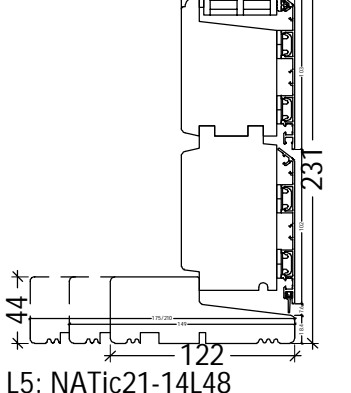
L2: NATic21-16L48



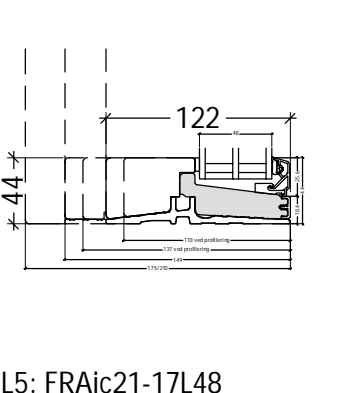
L5: FRAic21-12L48



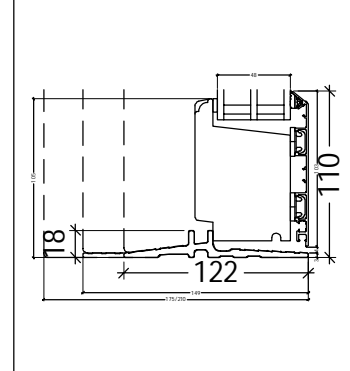
L5: NATic21-13L48



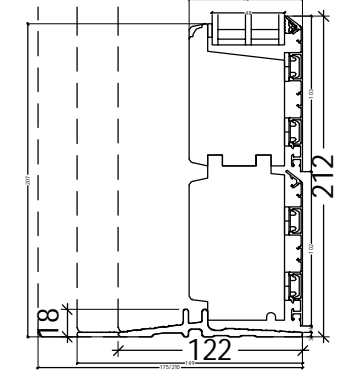
L5: NATic21-14L48



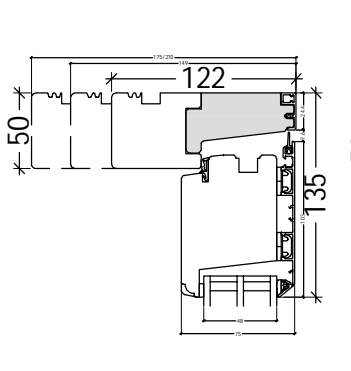
L5: FRAic21-17L48



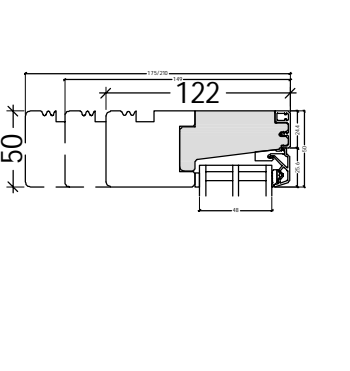
L5: NATic21-18L48



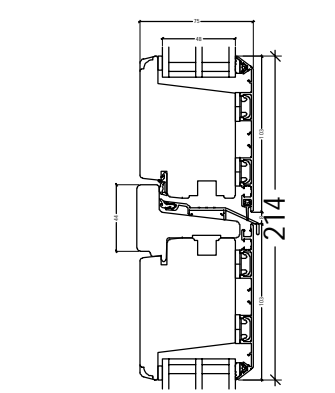
L5: NATic21-19L48



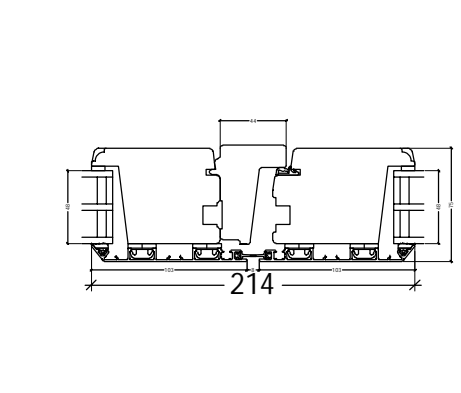
L1: NATic21-20L48



L4: FRAic06-20L48



L8: NATic21-81L48



V3: NATic21-80L48

DK	Udadgående facade- og halvdør - 3-lags rude	www.idealcombi.dk
UK	Outward opening entrance- and stable door - 3-layer panes	

www.idealcombi.com

TYPE Nation IC Rev. no. 02 Drawing no. NATic_21_3

© Idealcombi A/S 2011. This material is the property of and copyright protected by IDEALCOMBI A/S.

