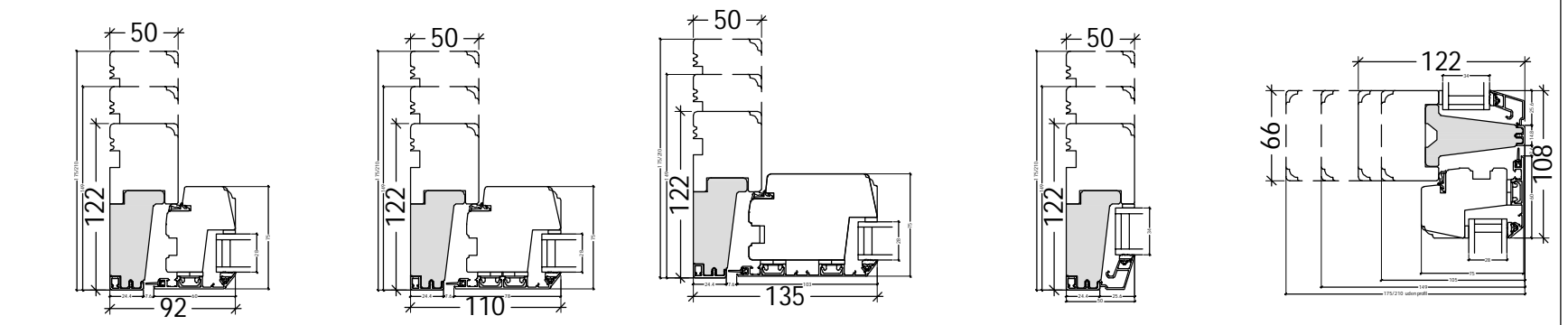
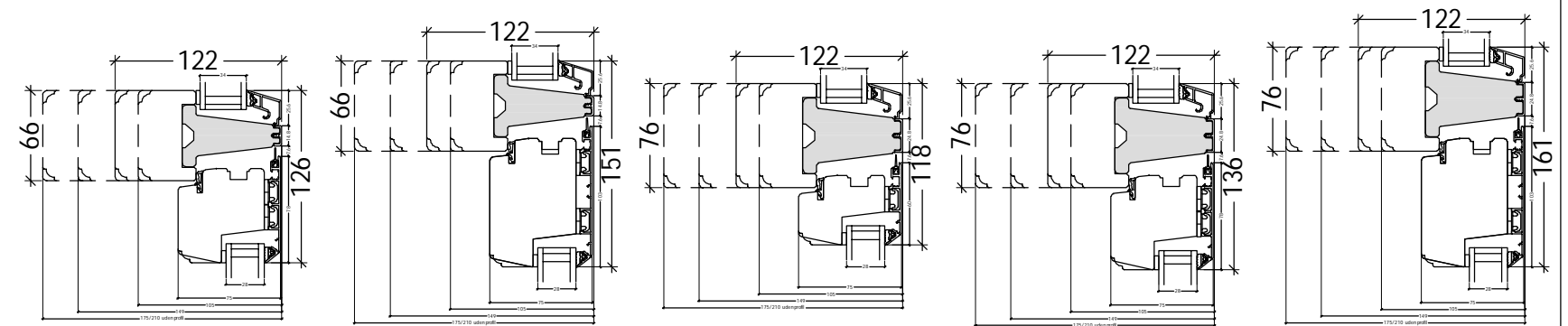


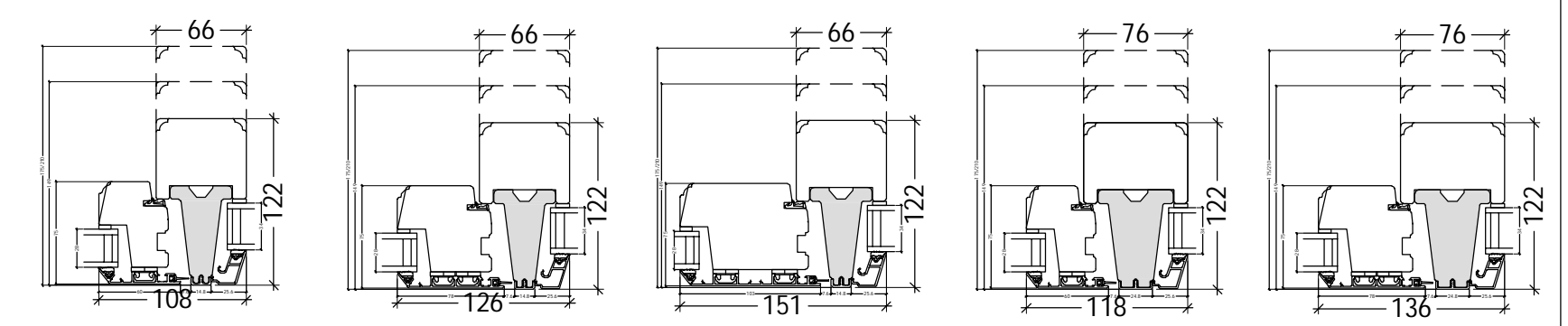
Sprosse og stilsprosser ses på tegning NATic_01_2 - Udadgående vinduer og fast karm - 2-lags rude.
 Glazing bar and styling bar can be seen at drawing NATic_01_2 - Outward opening windows and fixed light - 2-layer panes.



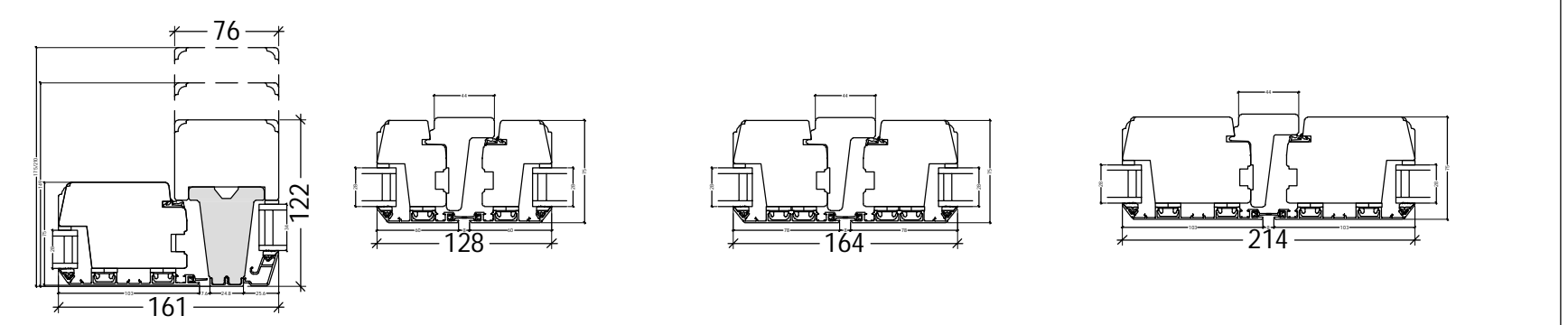
V1: NATic20-30L28
 V7: NATic20-30L28(mirr.)
 V1: NATic20-31L28
 V7: NATic20-31L28 (mirr.)
 V1: NATic21-30L28
 V7: NATic21-30L28(mirr.)
 V4: FRAic21-31L34 (mirr.)
 V5: FRAic21-31L34
 L6: NATic20-40L28-34
 L5: NATic20-40L28-34 (mirr.)



L6: NATic20-41L28-34
 L6: NATic21-40L28-34
 L6: NATic20-42L28-34
 L5: NATic20-42L28-34 (mirr.)
 L6: NATic20-43L28-34
 L6: NATic21-41L28-34



L2: NATic20-10L28
 L2: NATic20-11L28
 L2: NATic21-10L28
 L2: NATic20-13L28
 V6: NATic20-50L28-34 (mirr.)
 V6: NATic20-51L28-34 (mirr.)
 V6: NATic20-54L28-34 (mirr.)
 V3: NATic20-52L28-34
 V6: NATic20-52L28-34(mirr.)
 V3: NATic20-53L28-34
 V6: NATic20-53L28-34(mirr.)



L2: NATic20-14L28
 L2: NATic21-15L28
 L4: FRAic20-12L34
 L4: FRAic20-15L34
 V3: NATic21-50L28-34
 V6: NATic21-50L28-34(mirr.)
 V2: NATic20-80L28
 V2: NATic20-81L28
 V2: NATic20-82L28

DK	Udadgående terrassedør - 2-lags rude	www.idealcombi.dk
UK	Outward opening terrace door - 2-layer panes	

L1: NATic01-20L28
 L1: NATic20-21L28
 L1: NATic21-20L28
 L3: FRAic06-20L34