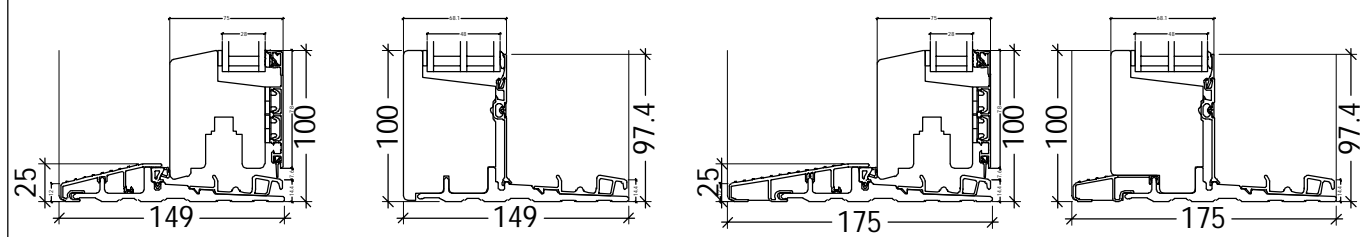
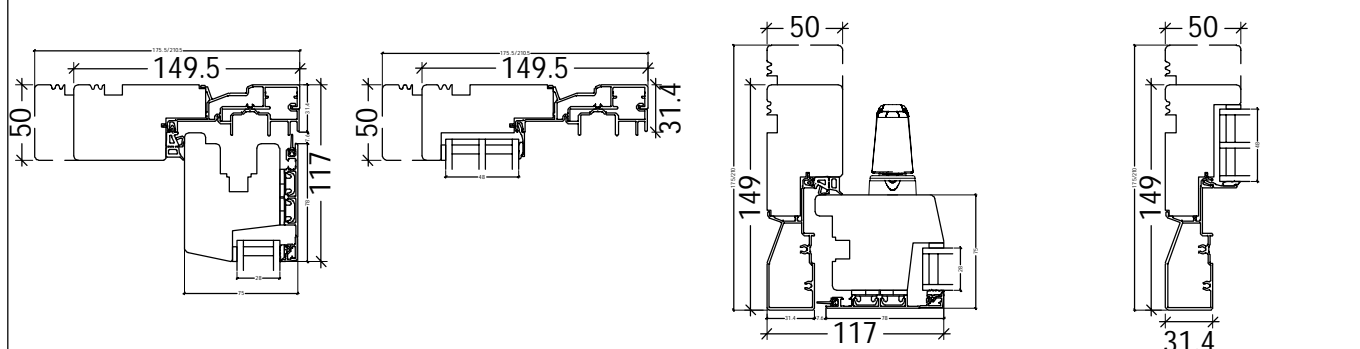


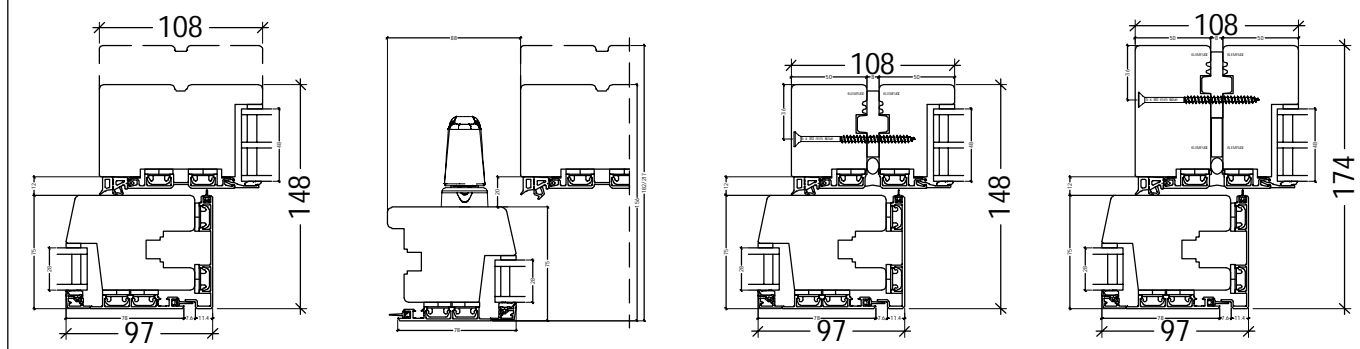
Stilsprosser i gående ramme, se tegning PLU_01_2 - Udadgående vinduer og fast karm - 2-lags rude.
 Stilsprosser i stående del, se tegning PLU_01_3 - Udadgående vinduer og fast karm - 3-lags rude.
 Styling bar at sliding part, see drawing PLU_01_2 - Outward opening windows and fixed light - 2-layer panes.
 Styling bar at standing part, see drawing PLU_01_3 - Outward opening windows and fixed light - 3-layer panes.



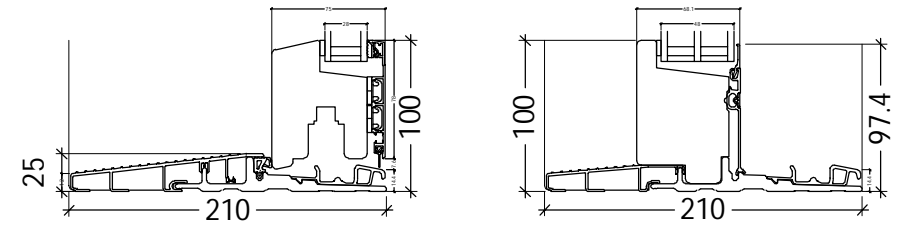
L2/L8: PLU29-10L28 L4/L6: FRAic29-11L48 L2/L8: PLU29-12L28 L4/L6: FRAic29-13L48



L1/L7: PLU29-20L28 L3/L5: FRAic29-21L48 V1: PLU29-30L28 V3/V9: FRAic29-31L48(mirr.)
 V5: FRAic29-31L48



V2: PLU29-50L28-48 V2: PLU29-51L28 V2/V7: PLU29-80L28-48
 V5: PLU29-80L28-48(mirr.) V2/V7: PLU29-81L28-48
 V5: PLU29-81L28-48(mirr.)



L2/L8: PLU29-14L28 L4/L6: FRAic29-15L48

DK	IC Skydedør - 2-lags rude	www.idealcombi.dk
UK	IC Sliding door - 2-layer glazing	www.idealcombi.com
TYPE	Futura+	Rev. no. 00
		Drawing no. PLU_29IC_2
© Idealcombi A/S 2011. This material is the property of and copyright protected by IDEALCOMBI A/S.		

