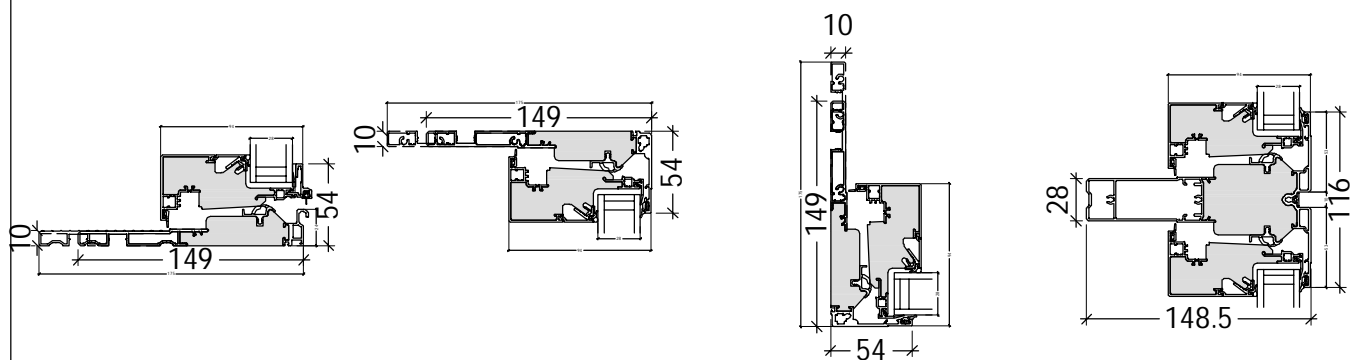


Stilsprosser ses på tegning PLU_09_2 - Indadgående vinduer og fast karm - 2-lags rude.
 Styling bar can be seen at drawing PLU_09_2 - inward opening windows and fixed light - 2-layer panes.

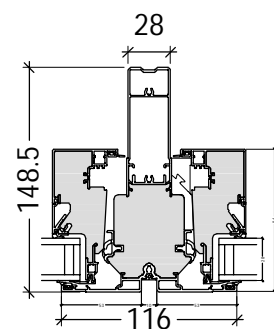


L2: PLU28-10L28

L1: PLU28-20L28

V1/V4: PLU28-30L28
 V3: PLU28-30L28(mirr.)

L3: PLU28-40L28



V2: PLU28-50L28

DK	Indadgående terrassedør - 2-lags rude Dreje/kip, Kip/dreje og Dreje	www.idealcombi.dk
UK	Inward opening terrace door - 2-layer panes Turn/tilt, Tilt/turn and Turn	www.idealcombi.com

TYPE Futura+i Rev. no. 01
 Drawing no. PLU_28_2

© Idealcombi A/S 2011. This material is the property of and copyright protected by IDEALCOMBI A/S.