

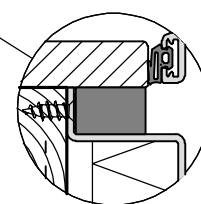
PLU_HJL102_175

Alu vinkel 10x10x2 mm.
Continuous support profile
10x10x2 mm.
Illmod 600 15 7-12.
Alternativ bagstop+fuge.
Alternative backer-rod+
mastic joint.

1.5 mm Alu-afdækning m/
30 mm endebuk.
1.5 mm Alu-flashing w/
30 mm end fold.

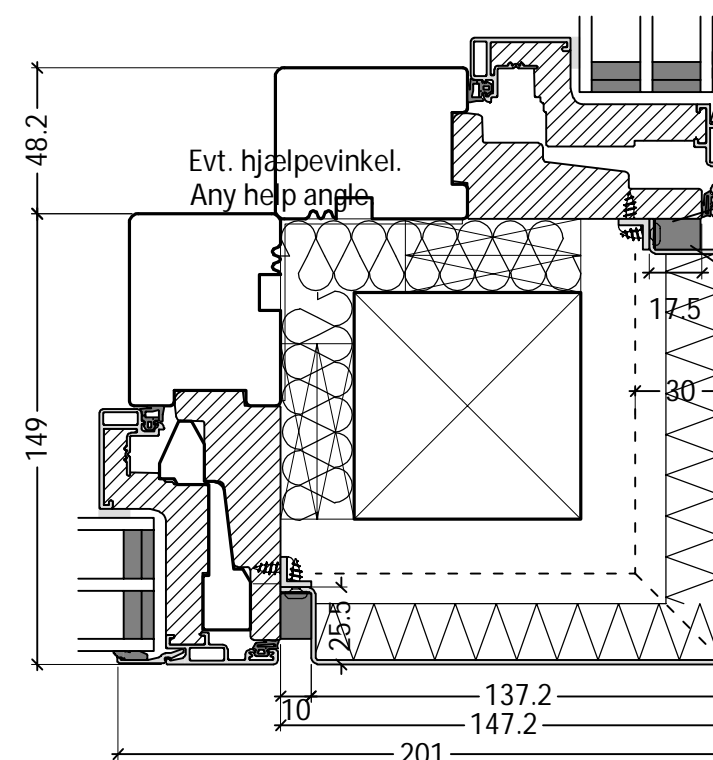
Standard løsning:
Alu vinkler og alu-afdækning er tilvalg.
Træ stolpe og øvrige montage
materialer leveres af montør.
149 mm karm - 75x75 mm.
175 mm karm - 100x100 mm.
Opklodsning, skrueafstande og
skrueplacering som standard montage.

Standard solution:
**Continuous support profile and
alu-flashing is optional.
Timber post and other installation
materials by instaler.**
149 mm frame - 75x75 mm.
175 mm frame - 100x100 mm.
Wedging, fixing points and fixing areas
as standard installation.



Alternativ løsning:
Alu-afdækning er tilvalg.
Special tilskårede træstolper er tilvalg.
Nogle af typerne kan bestilles ved
Idealcombi.
Øvrige montage materialer leveres af
montør.
149 mm karm - 121.4x121.4 mm.
175 mm karm - 147.4x147.4 mm.
Skrueafstande og -placering som
standard montage.

Alternative solution:
Alu-flashing is optional.
Special cut wooden post is optional.
Some of the types can be ordered by
Idealcombi.
Other installation materials by instaler.
149 mm karm - 121.4x121.4 mm.
175 mm karm - 147.4x147.4 mm.
Fixing points and fixing areas as
standard installation.



PLU_HJL102_149

Alu vinkel 10x10x2 mm.
Continuous support profile
10x10x2 mm.
Illmod 600 15 7-12.
Alternativ bagstop+fuge.
Alternative backer-rod+
mastic joint.

1.5 mm Alu-afdækning m/
30 mm endebuk.
1.5 mm Alu-flashing w/
30 mm end fold.

DK Standard hjørneløsning 90°
149/175 mm karm

www.idealcombi.dk

UK Standard corner solution 90°
149/175 mm frame

www.idealcombi.com

TYPE Futura+

Rev. no. 02

Drawing no. PLU-HJL102

© Idealcombi A/S 2011. This material is the property of and copyright protected by IDEALCOMBI A/S.

idealcombi
Udvikler vinduet