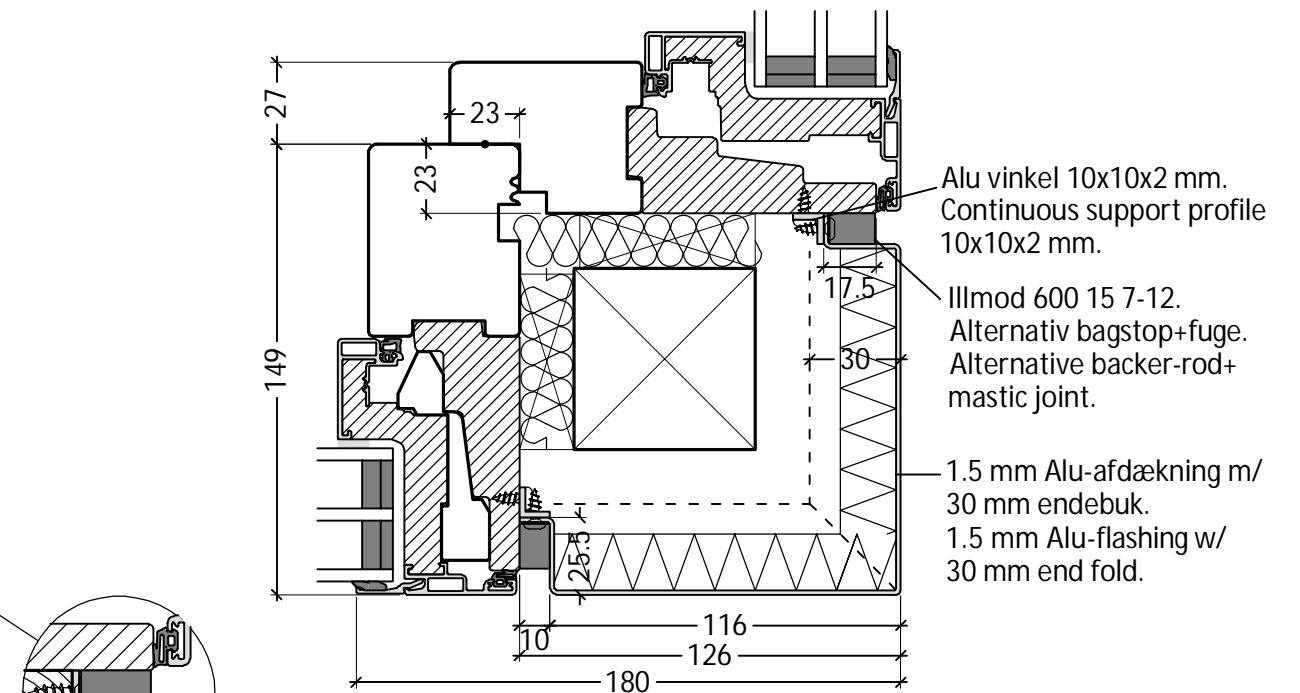


PLU_HJL101_175

Standard løsning:
 Alu vinkler og alu-afdækning er tilvalg.
 Træ stolpe og øvrige montage materialer leveres af montør.
 149 mm karm - 50x50 mm.
 175 mm karm - 100x100 mm.
 Opklodsning, skrueafstande og skrueplacering som standard montage.

Standard solution:
Continuous support profile and alu-flashing is optional.
Timber post and other installation materials by instaler.
 149 mm frame - 50x50 mm.
 175 mm frame - 100x100 mm.
 Wedging, fixing points and fixing areas as standard installation.



PLU_HJL101_149

Alternativ løsning:
 Alu-afdækning er tilvalg.
 Special tilskårede træstolper er tilvalg.
 Nogle af typerne kan bestilles ved Idealcombi.
 Øvrige montage materialer leveres af montør.
 149 mm karm - 100.5x100.5 mm.
 175 mm karm - 126.5x126.5 mm.
 Skrueafstande og -placering som standard montage.

Alternative solution:
Alu-flashing is optional.
 Special cut wooden post is optional.
 Some of the types can be ordered by Idealcombi.
 Other installation materials by instaler.
 149 mm karm - 100.5x100.5 mm.
 175 mm karm - 126.5x126.5 mm.
 Fixing points and fixing areas as standard installation.

DK	Standard hjørneløsning 90° 149/175 mm karm med fals	www.idealcombi.dk
UK	Standard corner solution 90° 149/175 mm rebated frame	www.idealcombi.com

TYPE Futura+ Rev. no. 02 Drawing no. PLU-HJL101

© Idealcombi A/S 2011. This material is the property of and copyright protected by IDEALCOMBI A/S.