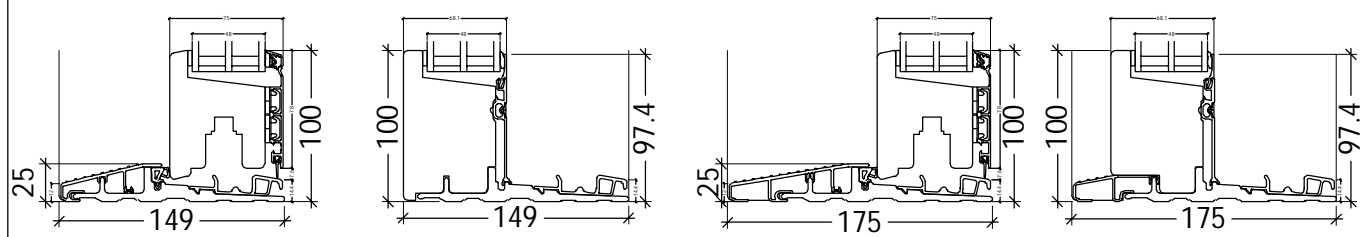
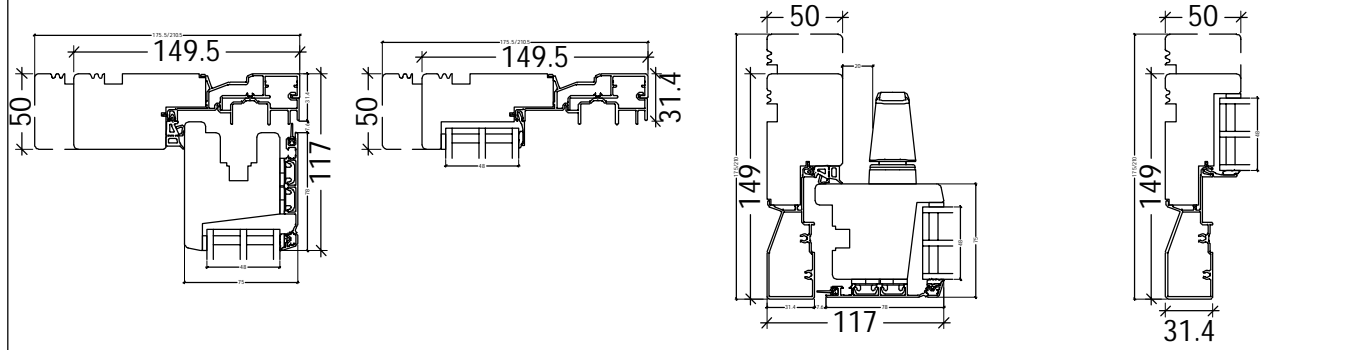


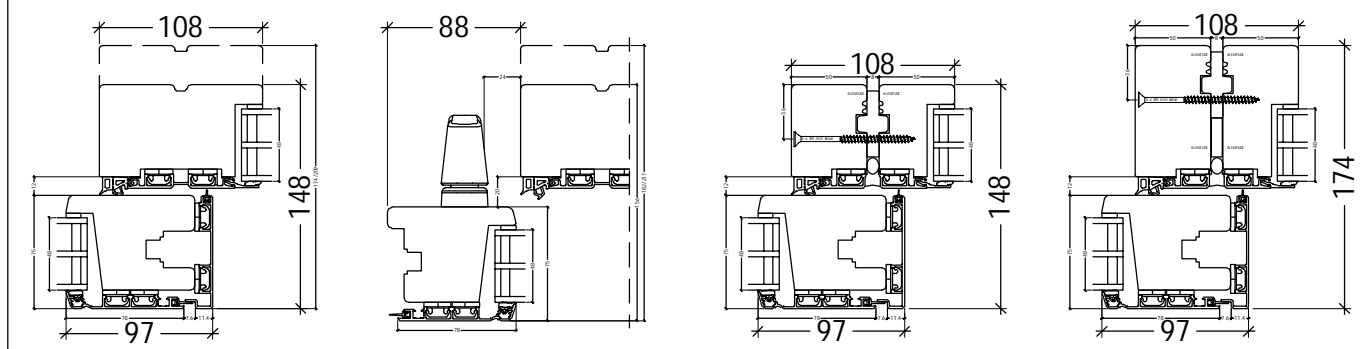
Stilsprosser i gående ramme, se tegning FRAic_01_3 - Udadgående vinduer og fast karm - 3-lags rude.
Styling bar at sliding part, see drawing FRAic_01_3 - Outward opening windows and fixed light - 3-layer panes.



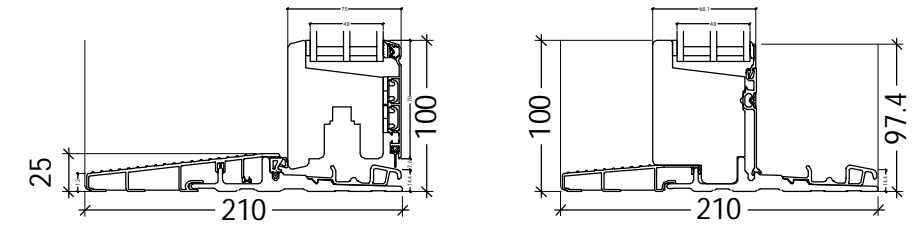
L2/L8: FRAic29-10L48 L4/L6: FRAic29-11L48 L2/L8: FRAic29-12L48 L4/L6: FRAic29-13L48



L1/L7: FRAic29-20L48 L3/L5: FRAic29-21L48 V1: FRAic29-30L48 V3/V9: FRAic29-31L48(mirr.)
V5: FRAic29-31L48



V2: FRAic29-50L48 V2: FRAic29-51L48 V2/V8: FRAic29-80L48 V2/V8: FRAic29-81L48
V6: FRAic29-80L48(mirr.) V6: FRAic29-81L48(mirr.)



L2/L8: FRAic29-14L48 L4/L6: FRAic29-15L48

DK	IC Skydedør - 3-lags rude	www.idealcombi.dk
UK	IC Sliding door - 3-layer glazing	