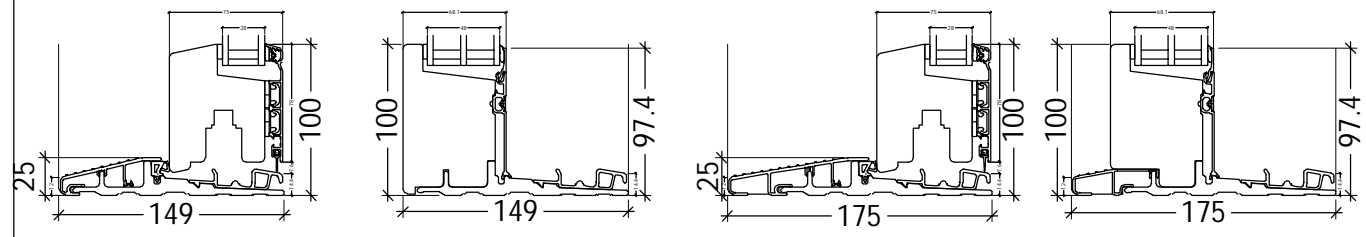
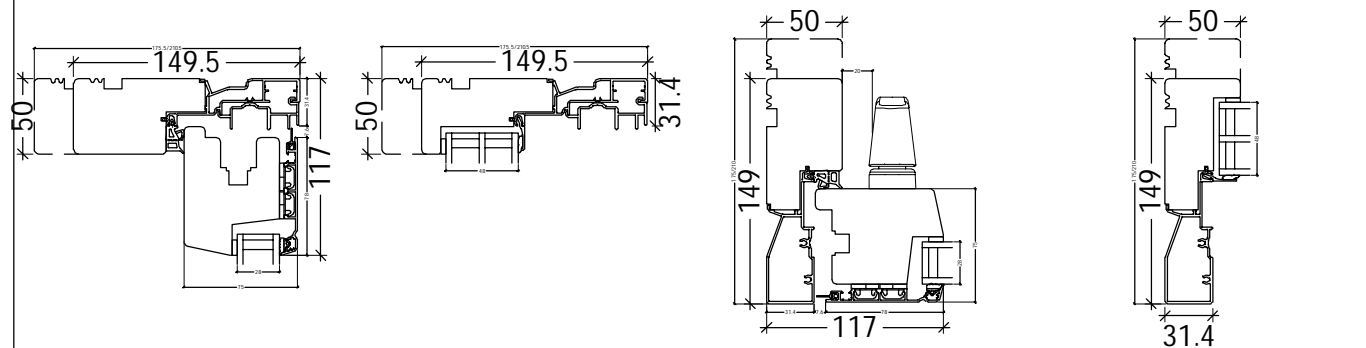


V2/V7: FRAic29-82L28-48
 V5: FRAic29-82L28-48(mirr.) V6: FRAic29-83L28

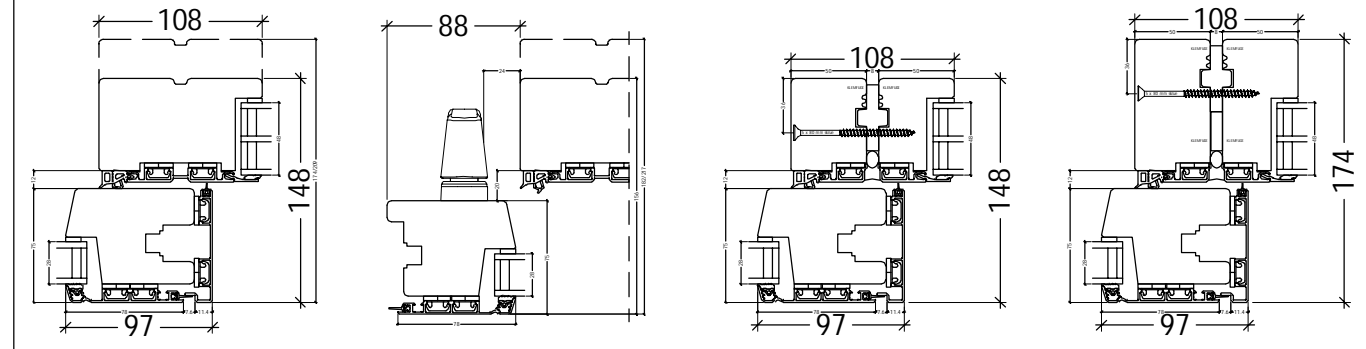
Stilsprosser i gående ramme, se tegning FRAic_01_2 - Udadgående vinduer og fast karm - 2-lags rude.
 Stilsprosser i stående del, se tegning FRAic_29_3 - IC skydedør - 3-lags rude.
 Styling bar at sliding part, see drawing FRAic_01_2 - Outward opening windows and fixed light - 2-layer panes.
 Styling bar at standing part, see drawing FRAic_29_3 - IC sliding door - 3-layer panes.



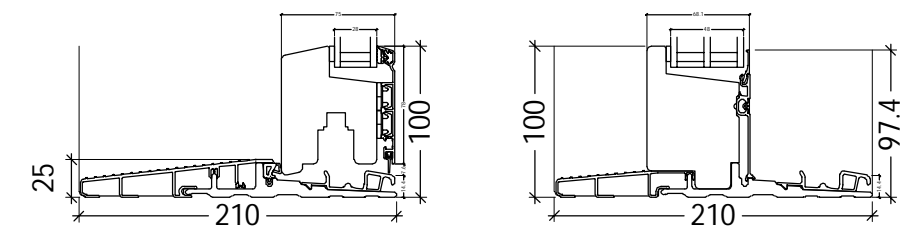
L2/L8: FRAic29-10L28 L4/L6: FRAic29-11L48 L2/L8: FRAic29-12L28 L4/L6: FRAic29-13L48



L1/L7: FRAic29-20L28 L3/L5: FRAic29-21L48 V1: FRAic29-30L28 V3/V8: FRAic29-31L48(mirr.)
 V4: FRAic29-31L48



V2: FRAic29-50L28-48 V2: FRAic29-51L28 V2/V7: FRAic29-80L28-48 V2/V7: FRAic29-81L28-48
 V5: FRAic29-80L28-48(mirr.) V5: FRAic29-81L28-48(mirr.)



L2/L8: FRAic29-14L28 L4/L6: FRAic29-15L48

DK	IC Skydedør - 2-lags rude	www.idealcombi.dk
UK	IC Sliding door - 2-layer glazing	

TYPE Frame IC Rev. no. 00 Drawing no. FRAic_29_2 www.idealcombi.com

