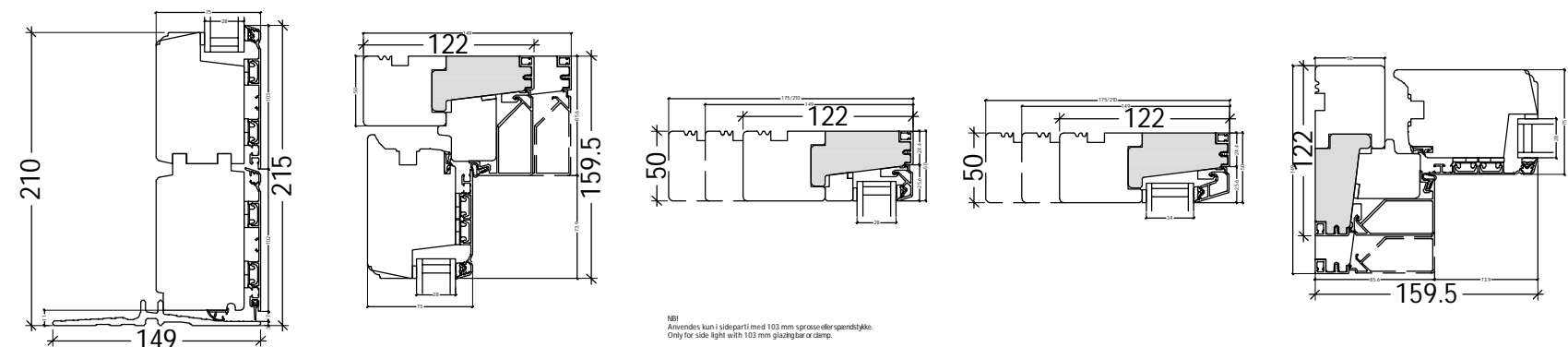
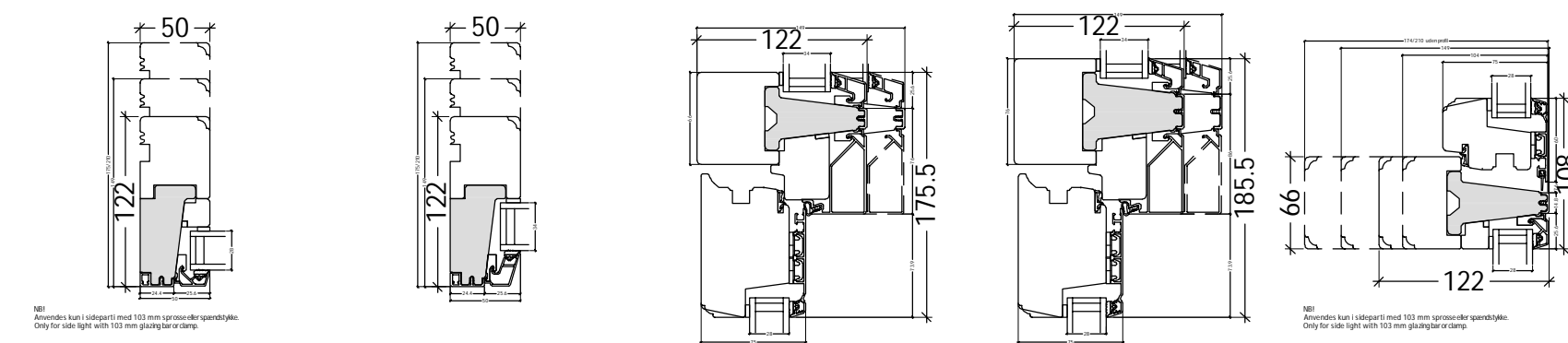


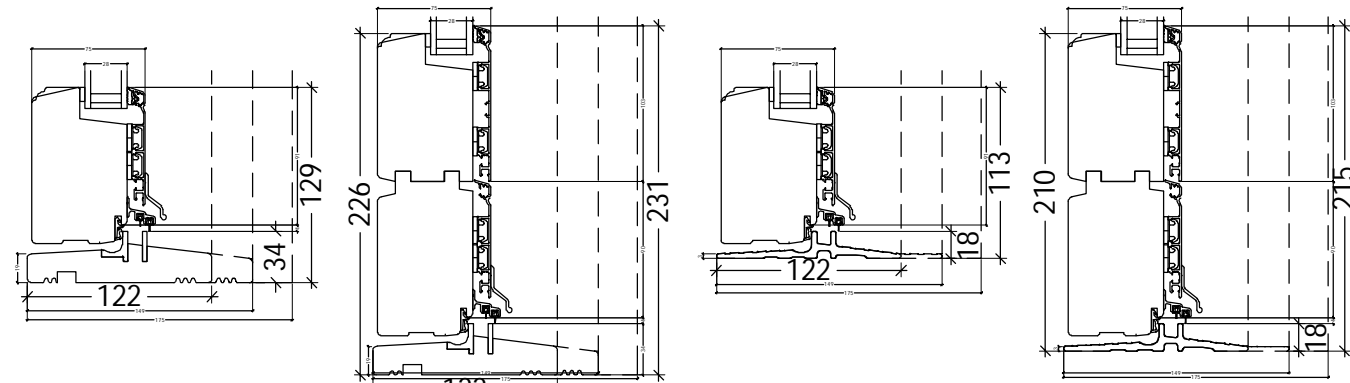
Sprosse og stilsprosser ses på tegning FRAic_01_2 - Udadgående vinduer og fast karm - 2-lags rude.
 Bred dørspøse ses på tegning FRAic_22_2 - Indadgående facade- og terrassedør - 2-lags rude.
 Glazing bar and styling bar can be seen at drawing FRAic_01_2 - Outward opening windows and fixed light - 2-layer panes.
 Wide door glazing bar can be seen at drawing FRAic_22_2 - Inward opening entrance- and terracedoor - 2-layer panes.



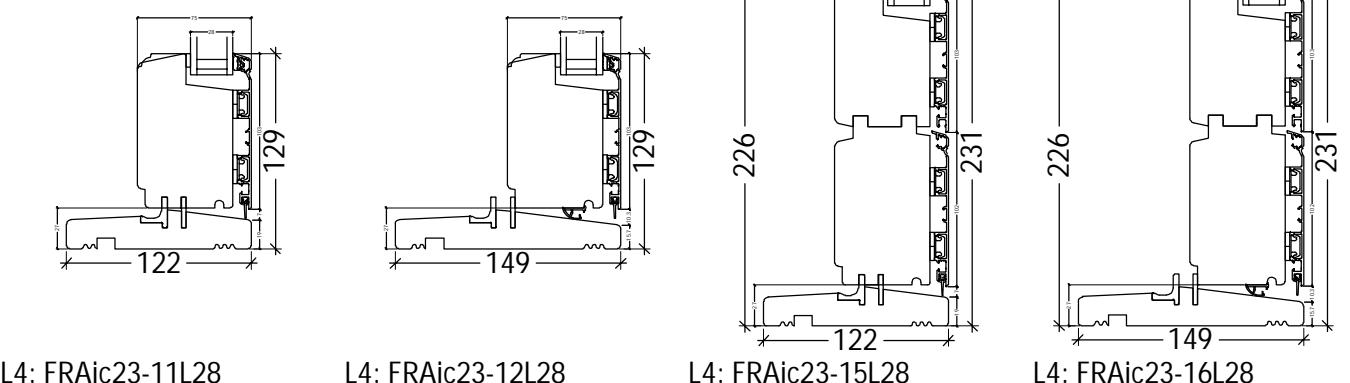
L4: FRAic23-18L28 L1: FRAic23-20L28 L3: FRAic21-21L28 L3: FRAic06-20L34 V1: FRAic23-30L28
 V7: FRAic23-30L28(mirr.)



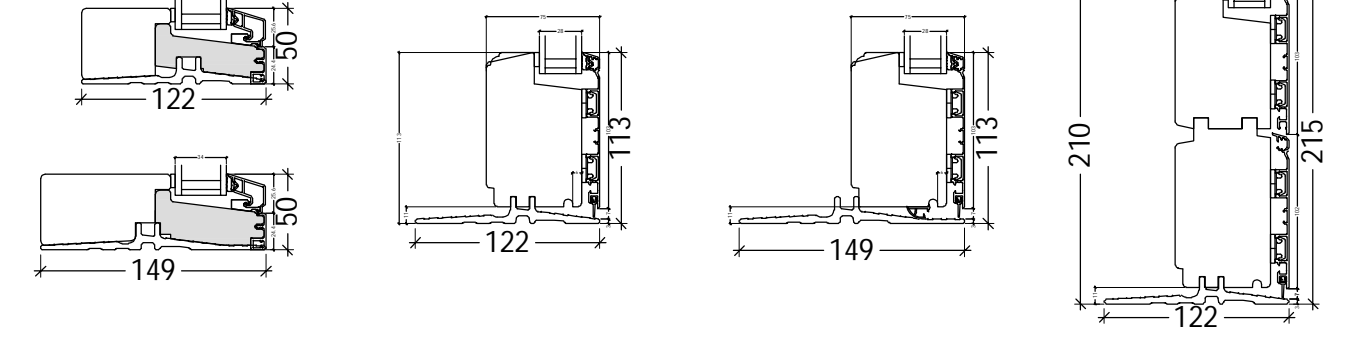
V4: FRAic21-31L28(mirr.) V4: FRAic21-31L34(mirr.) L6: FRAic23-40L28-34 L6: FRAic23-41L28-34 L5: FRAic21-42L28
 V5: FRAic21-31L28 V5: FRAic21-31L34



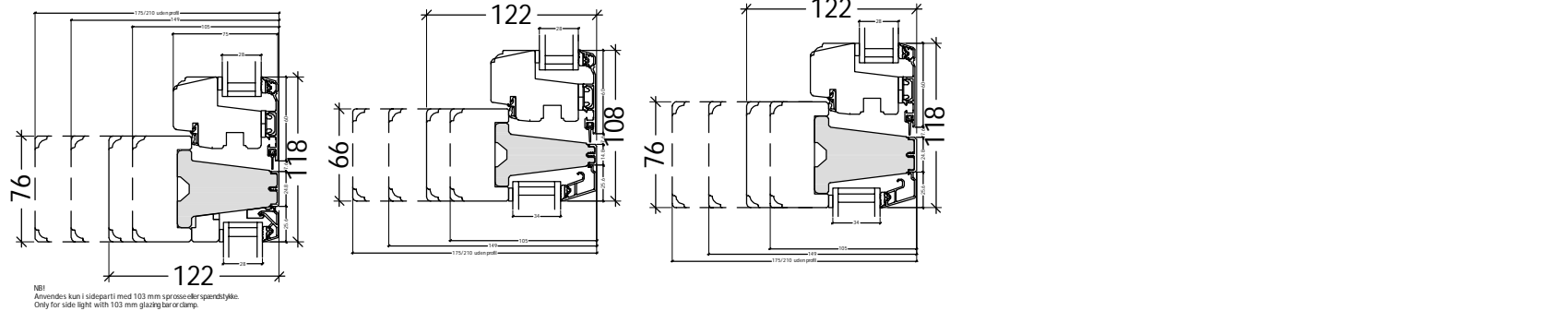
L2: FRAic22-10L28 L2: FRAic22-11L28 L2: FRAic22-12L28 L2: FRAic22-13L28



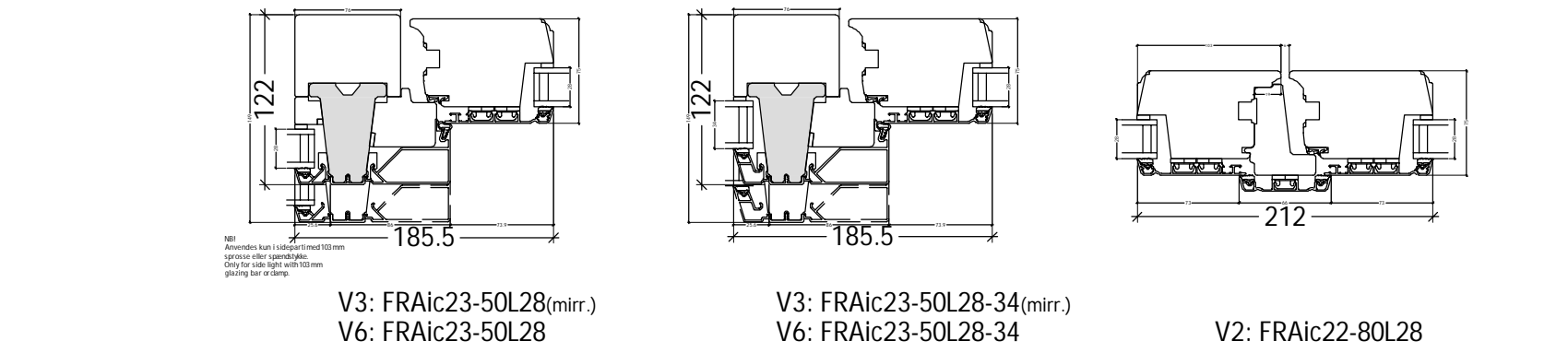
L4: FRAic23-11L28 L4: FRAic23-12L28 L4: FRAic23-15L28 L4: FRAic23-16L28



L4: FRAic23-10L34 L4: FRAic23-13L28 L4: FRAic23-14L28 L4: FRAic23-17L28



L5: FRAic21-43L28 L5: FRAic01-43L28-34 L5: FRAic01-44L28-34



V3: FRAic23-50L28(mirr.) V3: FRAic23-50L28-34(mirr.) V2: FRAic22-80L28
 V6: FRAic23-50L28 V6: FRAic23-50L28-34

DK Indadgående facade- og terrassedør med vendefals - 2-lags rude
 UK Inward opening entrance- and terrace door with reversed rebate - 2-layer panes

www.idealcombi.dk

www.idealcombi.com