

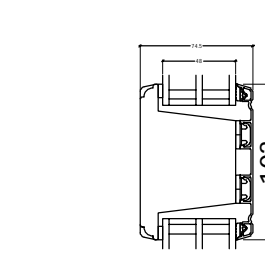
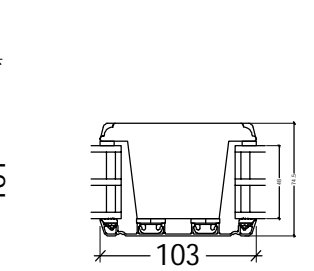
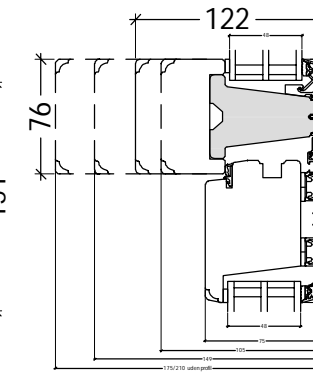
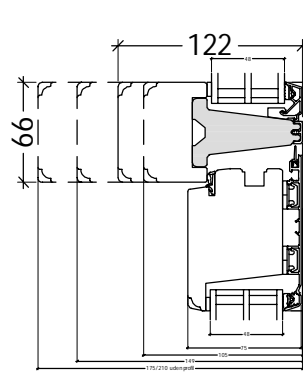
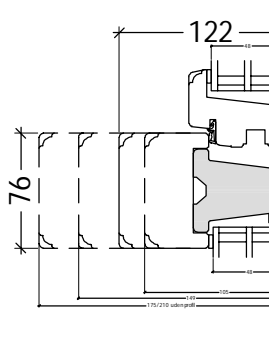
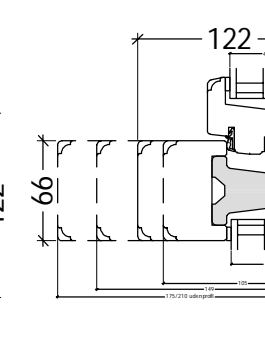
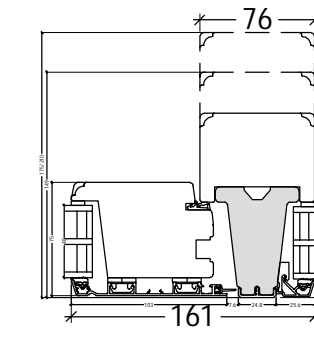
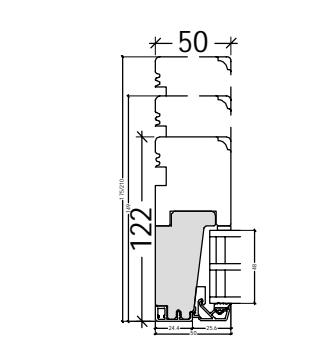
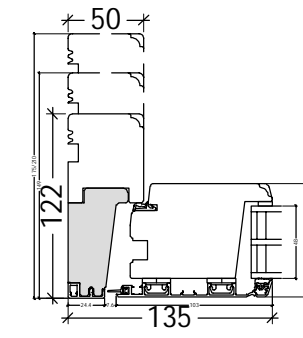
V1: FRAic21-30L48  
V8: FRAic21-30L48(mirr.)

V5: FRAic21-31L48(mirr.)  
V6: FRAic21-31L48

V4: FRAic21-50L48  
V7: FRAic21-50L48(mirr.)

L6: FRAic01-43L48

L6: FRAic01-44L48



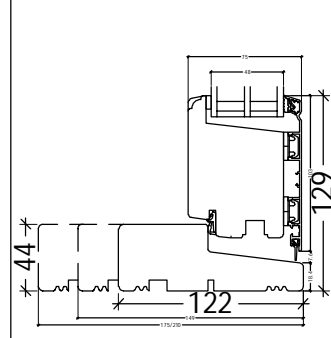
L7: FRAic21-40L48

L7: FRAic21-41L48

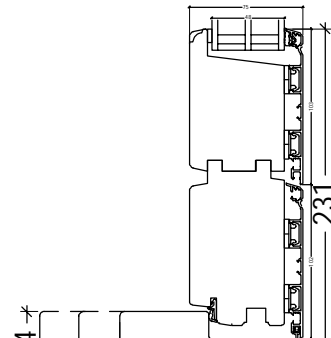
V2: FRAic21-70L48

L3: FRAic21-60L48

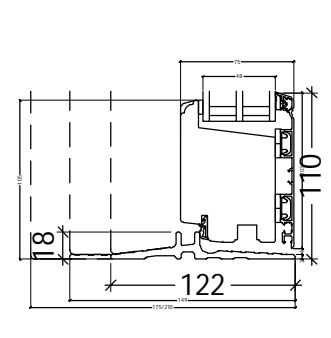
Sprosse og stilsprosser ses på tegning FRAic\_01\_3 - Udadgående vinduer og fast karm - 3-lags rude.  
Glazing bar and styling bar can be seen at drawing FRAic\_01\_3 - Outward opening windows and fixed light - 3-layer panes.



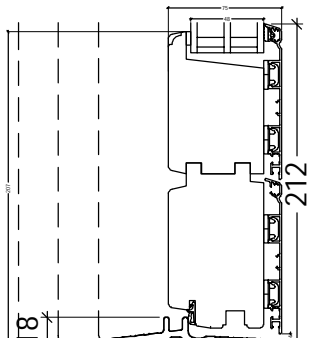
L2: FRAic21-10L48



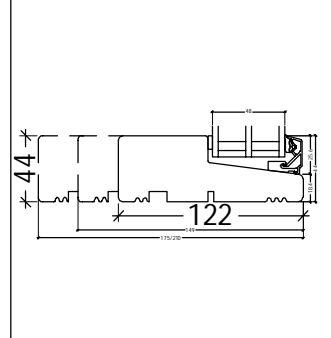
L2: FRAic21-11L48



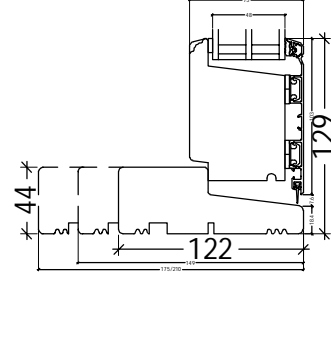
L2: FRAic21-15L48



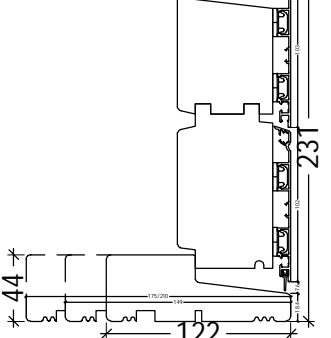
L2: FRAic21-16L48



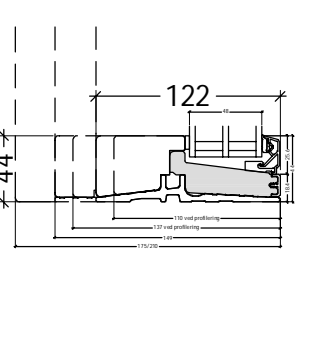
L5: FRAic21-12L48



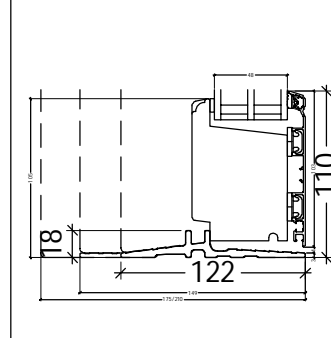
L5: FRAic21-13L48



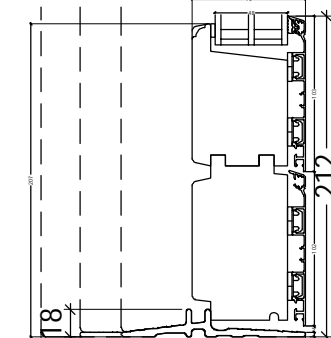
L5: FRAic21-14L48



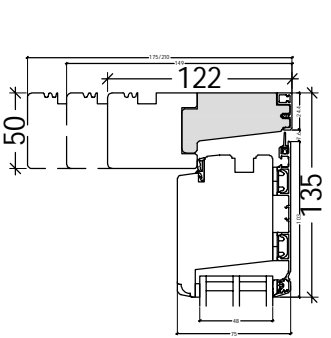
L5: FRAic21-17L48



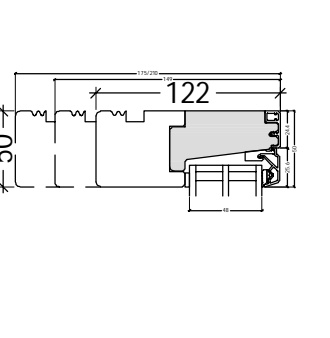
L5: FRAic21-18L48



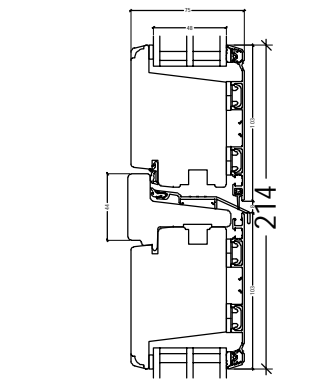
L5: FRAic21-19L48



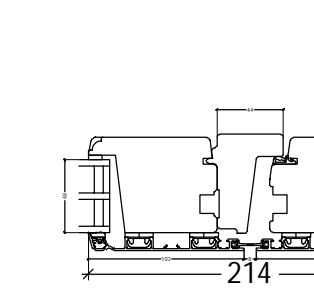
L1: FRAic21-20L48



L4: FRAic06-20L48



L8: FRAic21-81L48



V3: FRAic21-80L48

DK Udadgående facade- og halvdør - 3-lags rude  
UK Outward opening entrance- and stable door - 3-layer panes

www.idealcombi.dk

www.idealcombi.com

TYPE Frame IC

Rev. no. 02  
Drawing no. FRAic\_21\_3

© Idealcombi A/S 2011. This material is the property of and copyright protected by IDEALCOMBI A/S.

**idealcombi**  
Udvikler vinduet