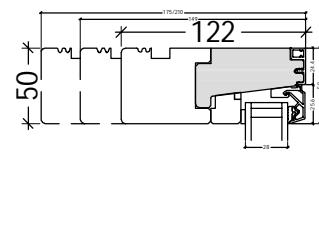
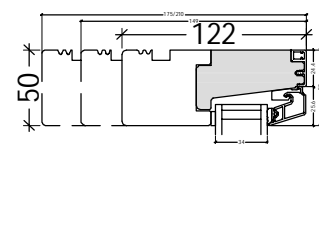


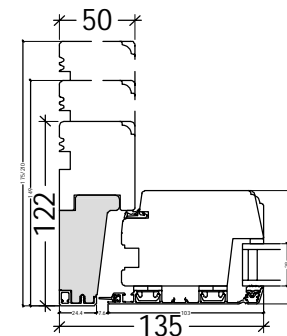
L1: FRAic21-20L28



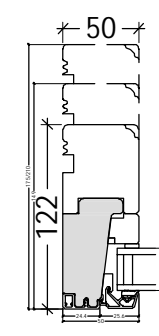
L4: FRAic21-21L28



L4: FRAic06-20L34

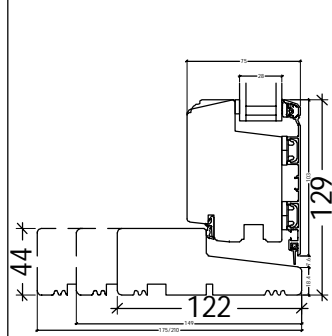


V1: FRAic21-30L28  
V8: FRAic21-30L28(mirr.)

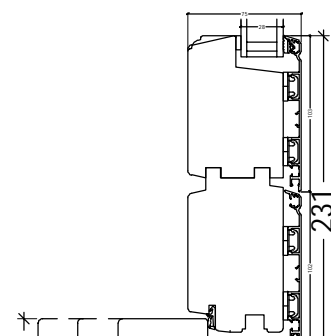


V5: FRAic21-31L28  
V6: FRAic21-31L28(mirr.)

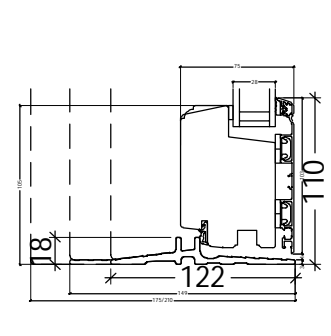
Sprosse og stilsprosse ses på tegning FRAic\_01\_2 - Udadgående vinduer og fast karm - 2-lags rude.  
Glazing bar and styling bar can be seen at drawing FRAic\_01\_2 - Outward opening windows and fixed light - 2-layer panes.



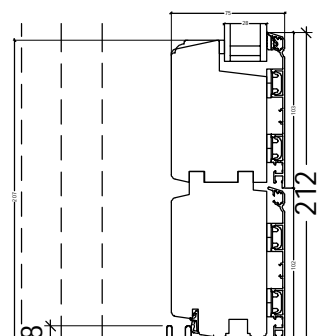
L2: FRAic21-10L28



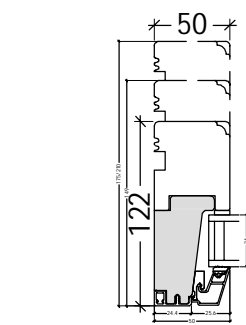
L2: FRAic21-11L28



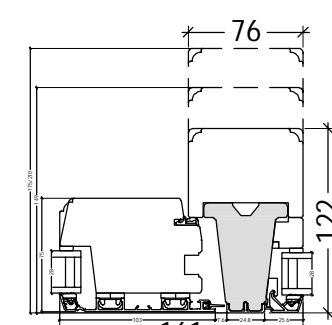
L2: FRAic21-15L28



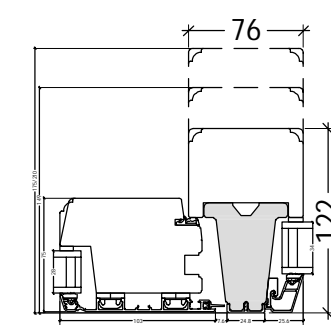
L2: FRAic21-16L28



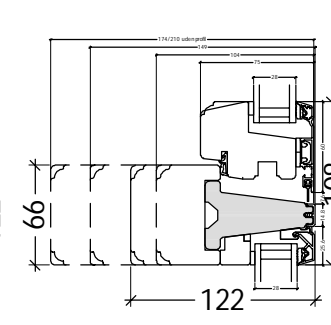
V5: FRAic21-31L34  
V6: FRAic21-31L34(mirr.)



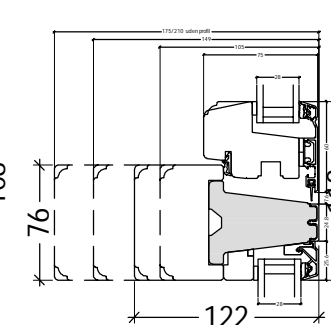
V4: FRAic21-50L28  
V7: FRAic21-50L28(mirr.)



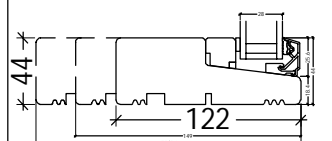
V4: FRAic21-50L28-34  
V7: FRAic21-50L28-34(mirr.)



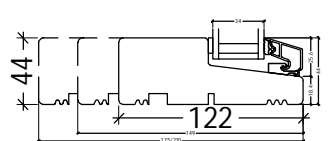
L6: FRAic21-42L28



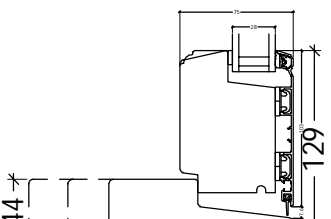
L6: FRAic21-43L28



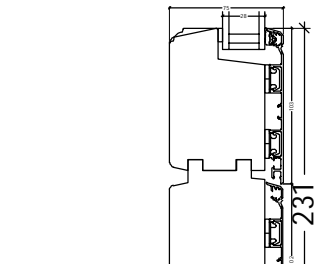
L5: FRAic21-12L28



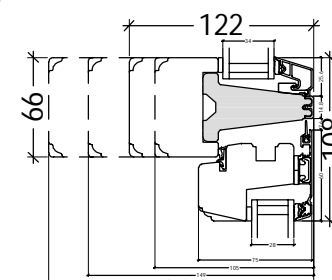
L5: FRAic21-12L34



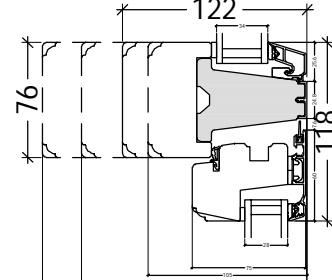
L5: FRAic21-13L28



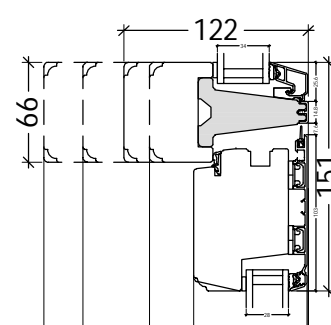
L5: FRAic21-14L28



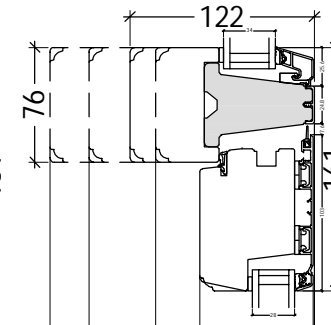
L6: FRAic20-40L28-34(mirr.)



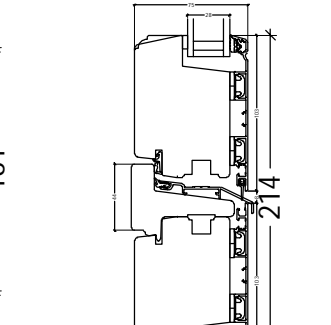
L6: FRAic20-42L28-34(mirr.)



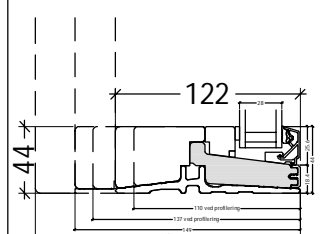
L7: FRAic21-40L28-34



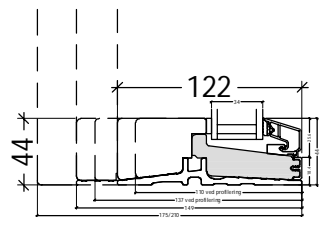
L7: FRAic21-41L28-34



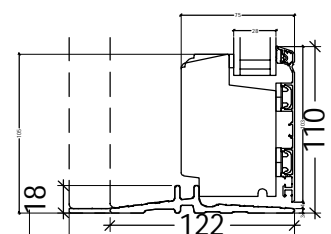
L8: FRAic21-81L28



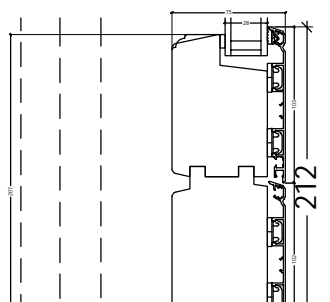
L5: FRAic21-17L28



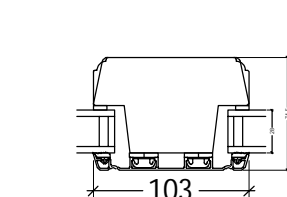
L5: FRAic21-17L34



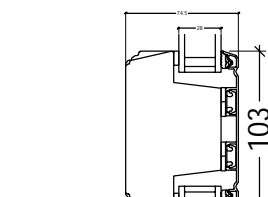
L5: FRAic21-18L28



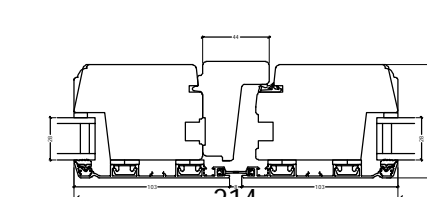
L5: FRAic21-19L28



V2: FRAic21-70L28



L3: FRAic21-60L28



V3: FRAic21-80L28

DK	Udadgående facade- og halvdør - 2-lags rude	www.idealcombi.dk
UK	Outward opening entrance- and stable door - 2-layer panes	

TYPE	Frame IC	Rev. no.	01
		Drawing no.	FRAic_21_2

© Idealcombi A/S 2011. This material is the property of and copyright protected by IDEALCOMBI A/S.

