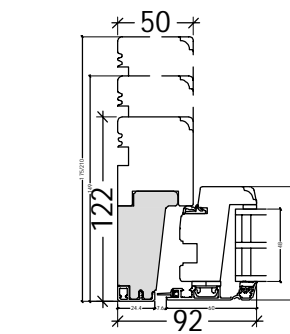
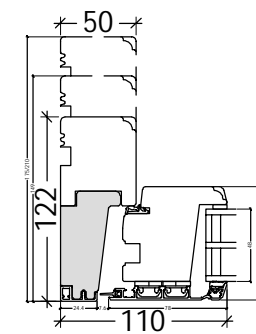


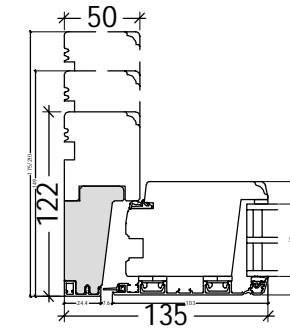
Sprosse og stilsprosser ses på tegning FRAic_01_3 - Udadgående vinduer og fast karm - 3-lags rude.
 Glazing bar and styling bar can be seen at drawing FRAic_01_3 - Outward opening windows and fixed light - 3-layer panes.



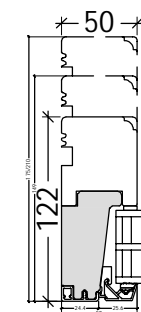
V1: FRAic20-30L48
 V7: FRAic20-30L48(mirr.)



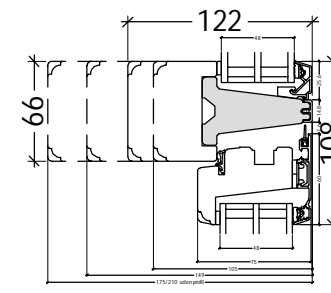
V1: FRAic20-31L48
 V7: FRAic20-31L48 (mirr.)



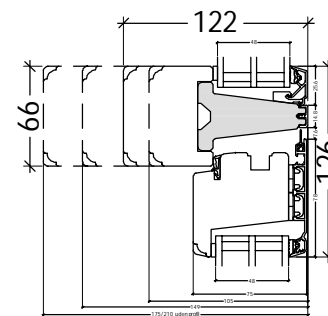
V1: FRAic21-30L48
 V7: FRAic21-30L48(mirr.)



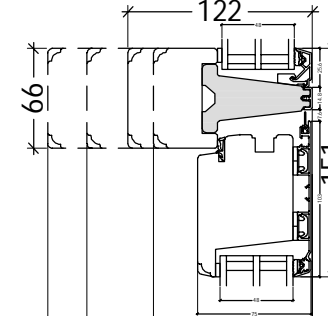
V4: FRAic21-31L48 (mirr.)
 V5: FRAic21-31L48



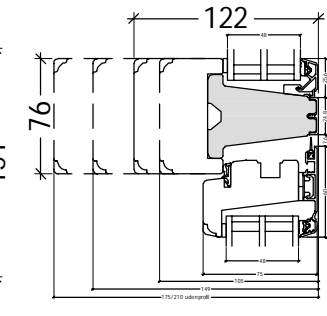
L6: FRAic20-40L48
 L5: FRAic20-40L48 (mirr.)



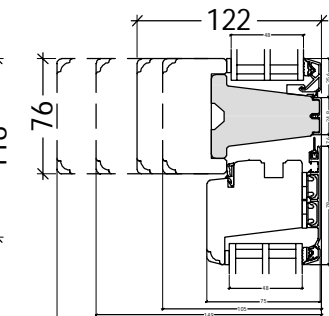
L6: FRAic20-41L48



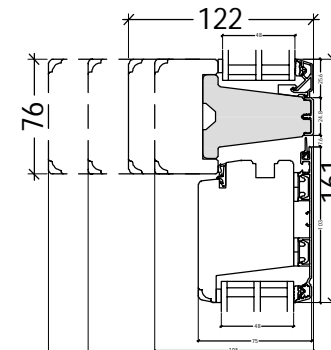
L6: FRAic21-40L48



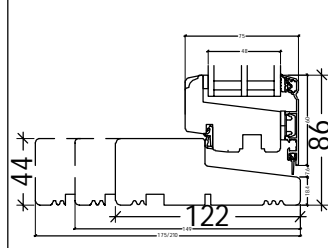
L6: FRAic20-42L48
 L5: FRAic20-42L48 (mirr.)



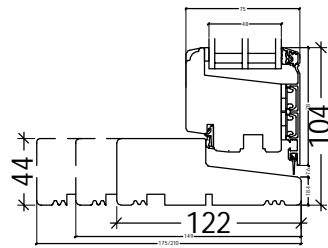
L6: FRAic20-43L48



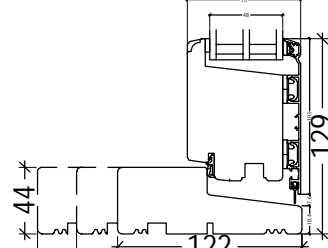
L6: FRAic21-41L48



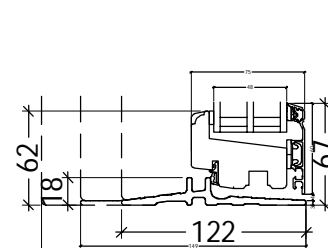
L2: FRAic20-10L48



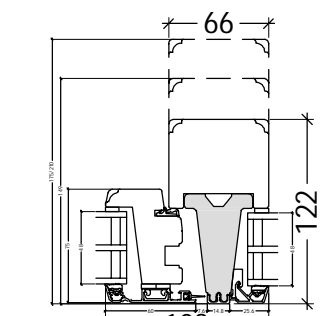
L2: FRAic20-11L48



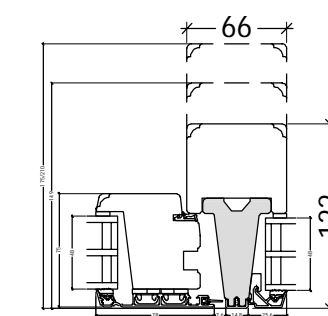
L2: FRAic21-10L48



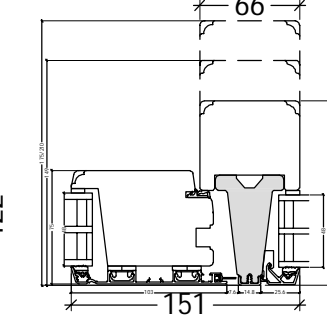
L2: FRAic20-13L48



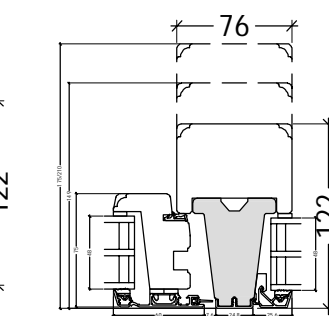
V6: FRAic20-50L48 (mirr.)



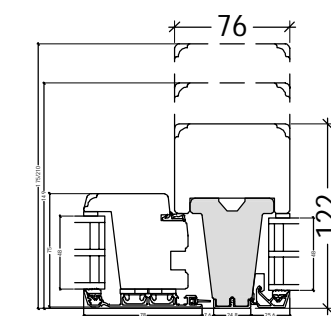
V6: FRAic20-51L48 (mirr.)



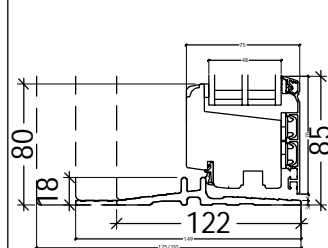
V6: FRAic20-54L48 (mirr.)



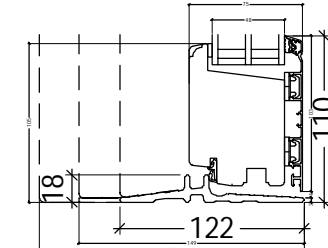
V3: FRAic20-52L48
 V6: FRAic20-52L48(mirr.)



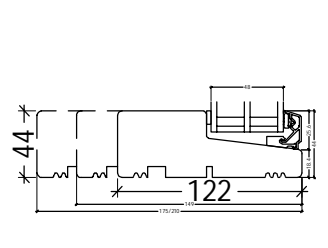
V3: FRAic20-53L48
 V6: FRAic20-53L48(mirr.)



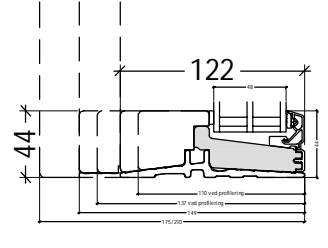
L2: FRAic20-14L48



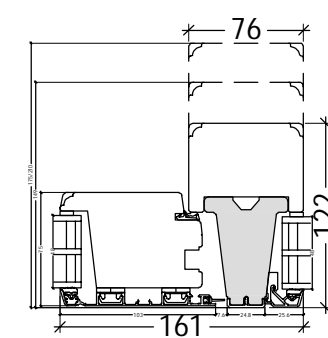
L2: FRAic21-15L48



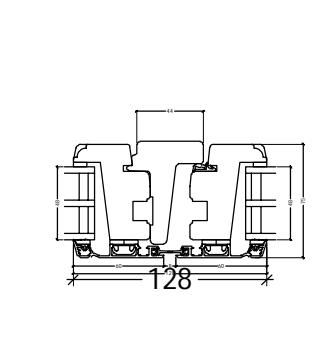
L4: FRAic20-12L48



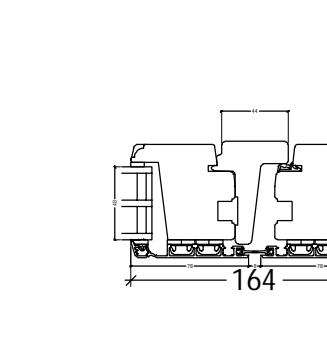
L4: FRAic20-15L48



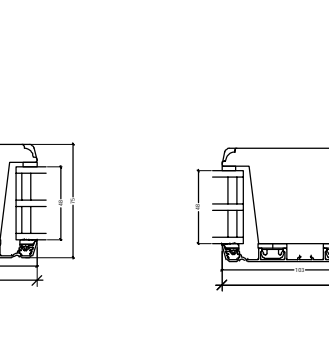
V3: FRAic21-50L48
 V6: FRAic21-50L48(mirr.)



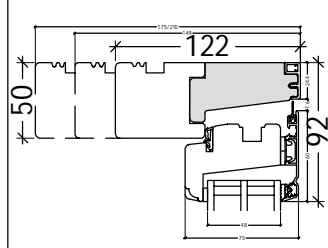
V2: FRAic20-80L48



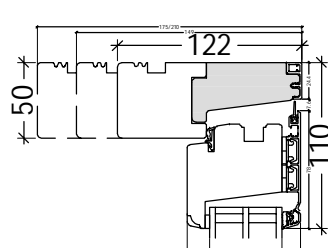
V2: FRAic20-81L48



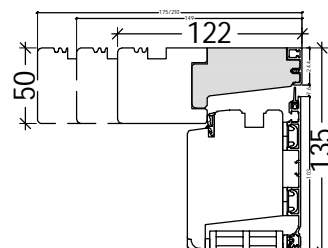
V2: FRAic20-82L48



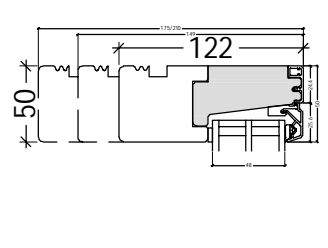
L1: FRAic01-20L48



L1: FRAic20-21L48



L1: FRAic21-20L48



L3: FRAic06-20L48

DK Udadgående terrassedør - 3-lags rude
 UK Outward opening terrace door - 3-layer panes

www.idealcombi.dk

www.idealcombi.com

TYPE Frame IC

Rev. no. 01
 Drawing no. FRAic_20_3

© Idealcombi A/S 2011. This material is the property of and copyright protected by IDEALCOMBI A/S.

idealcombi
 Udvikler vinduet