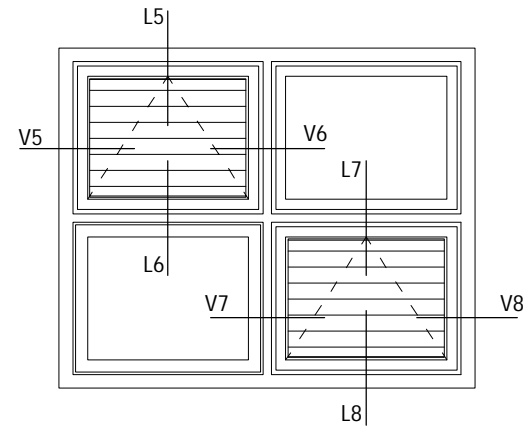
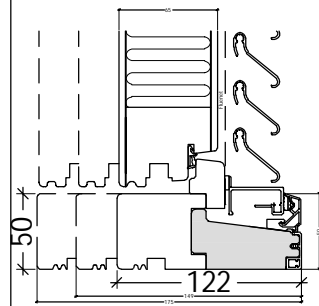


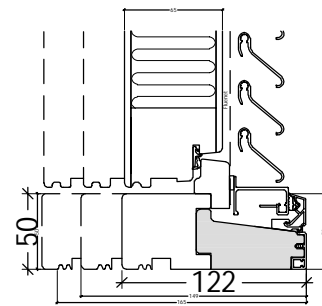
Sidehængt skoddelem.
Sidehung hatch.



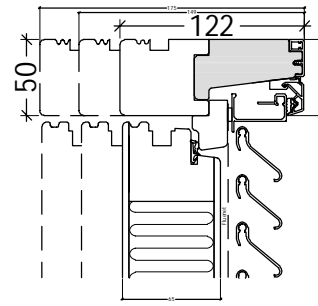
Bundhængt skoddelem.
Bottomhung hatch.



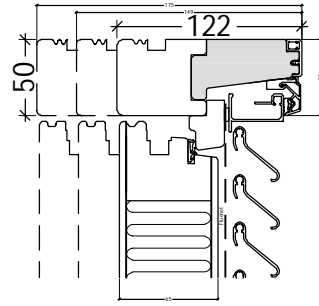
L4: FRAic07-10L



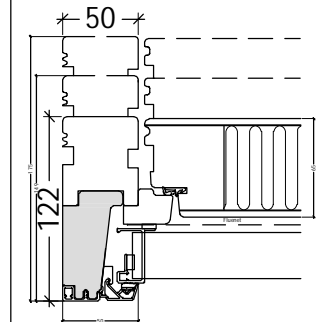
L8: FRAic07-11L



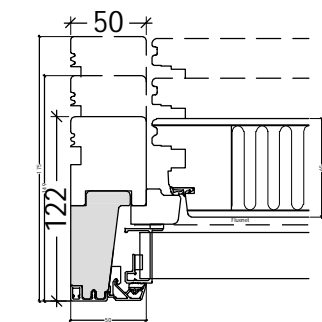
L1: FRAic07-20L



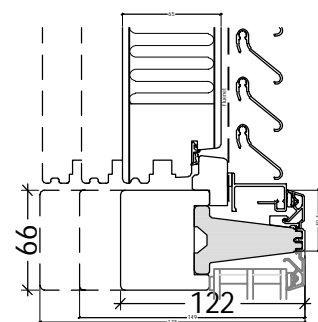
L5: FRAic07-21L



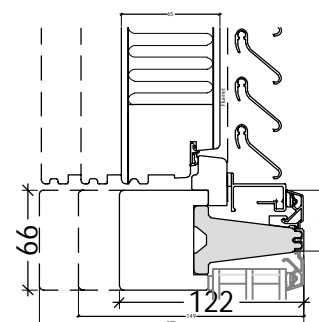
V1/V5: FRAic07-31L
V8: FRAic07-31L (mirr.)



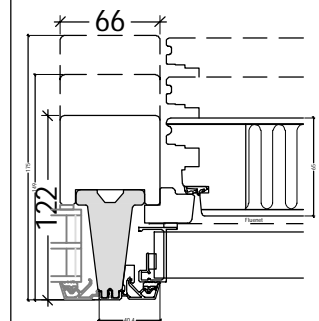
V4: FRAic07-30L(mirr.)



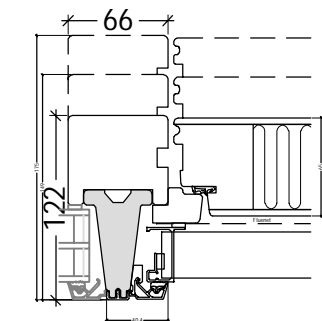
L2: FRAic07-40L
L3: FRAic07-40L (mirr.)



L6: FRAic07-41L
L7: FRAic07-41L (mirr.)



V2: FRAic07-50L(mirr.)



V6: FRAic07-51L (mirr.)
V7: FRAic07-51L

DK	Skoddelement Bundhængt og sidehængt pladelem	www.idealcombi.dk
UK	Shutter element Bottomhung and sidehung hatch	www.idealcombi.com

TYPE	Frame IC/Nation IC	Rev. no.	01
		Drawing no.	FRAic_07

© Idealcombi A/S 2011. This material is the property of and copyright protected by IDEALCOMBI A/S.

