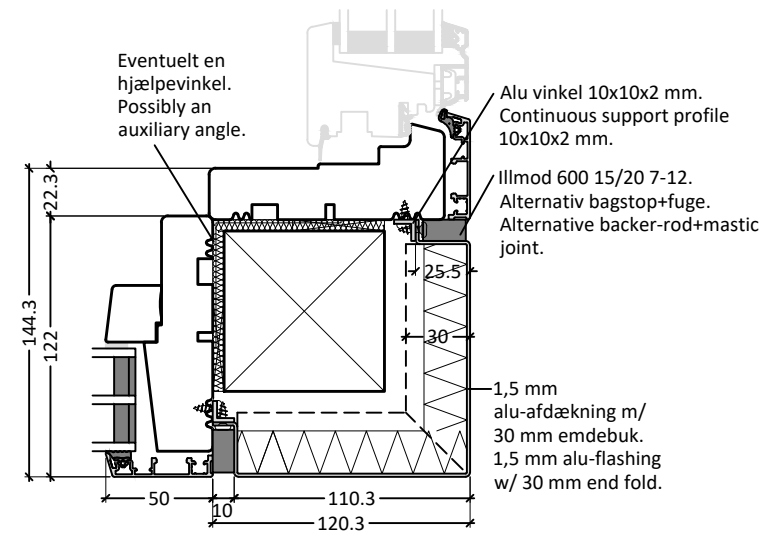
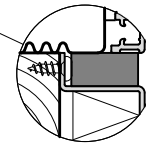


FRAic_HJL112_149

Standard løsning:
Alu vinkler og alu-afdækning er tilvalg.
Træ stolpe og øvrige montage materialer leveres af montør.
 122 mm karm - 75x75 mm.
 149 mm karm - 100x100 mm.
 Opklodsning, skrueafstande og skrueplacering som standard montage.

Standard solution:
Continuous support profiles and alu-flashing is optional.
Timber post and other installation materials by installer.
 122 mm frame - 75x75 mm.
 149 mm frame - 100x100 mm.
 Wedging, fixing points and fixing areas as standard installation.



FRAic_HJL112_122

Alternativ løsning:
Alu-afdækning er tilvalg.
Special tilskårede træstolper er tilvalg.
Nogle af typerne kan bestilles ved Idealcombi.
Øvrige montage materialer leveres af montør.
 122 mm karm - 94.8x94.8 mm.
 149 mm karm - 121.8x121.8 mm.
 Skrueafstande og -placering som standard montage.

Alternative solution:
Alu-flashing is optional.
Special cut wooden post is optional.
Some of the types can be ordered by Idealcombi.
Other installation materials by installer.
 122 mm karm - 94.8x94.8 mm.
 149 mm karm - 121.8x121.8 mm.
 Fixing points and fixing areas as standard installation.

DK	Standard hjørneløsning 90° 122/149 mm karm, indadgående	www.idealcombi.dk
UK	Standard corner solution 90° 122/149 mm frame, inward opening	www.idealcombi.com

TYPE Frame IC Rev. no. 04 Drawing no. FRAic-HJL112