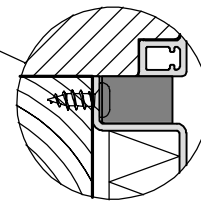


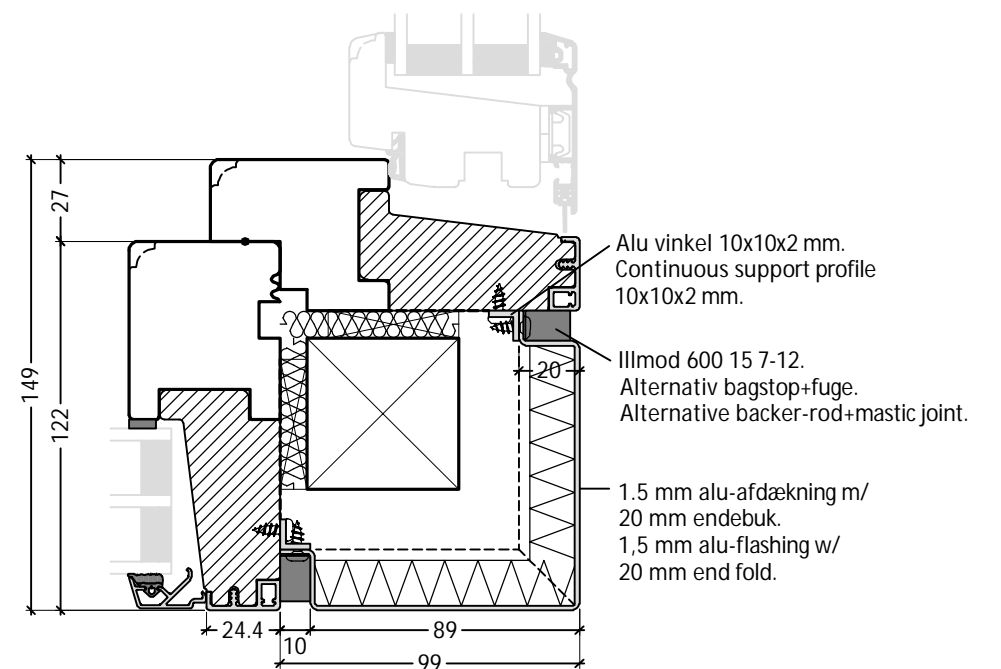
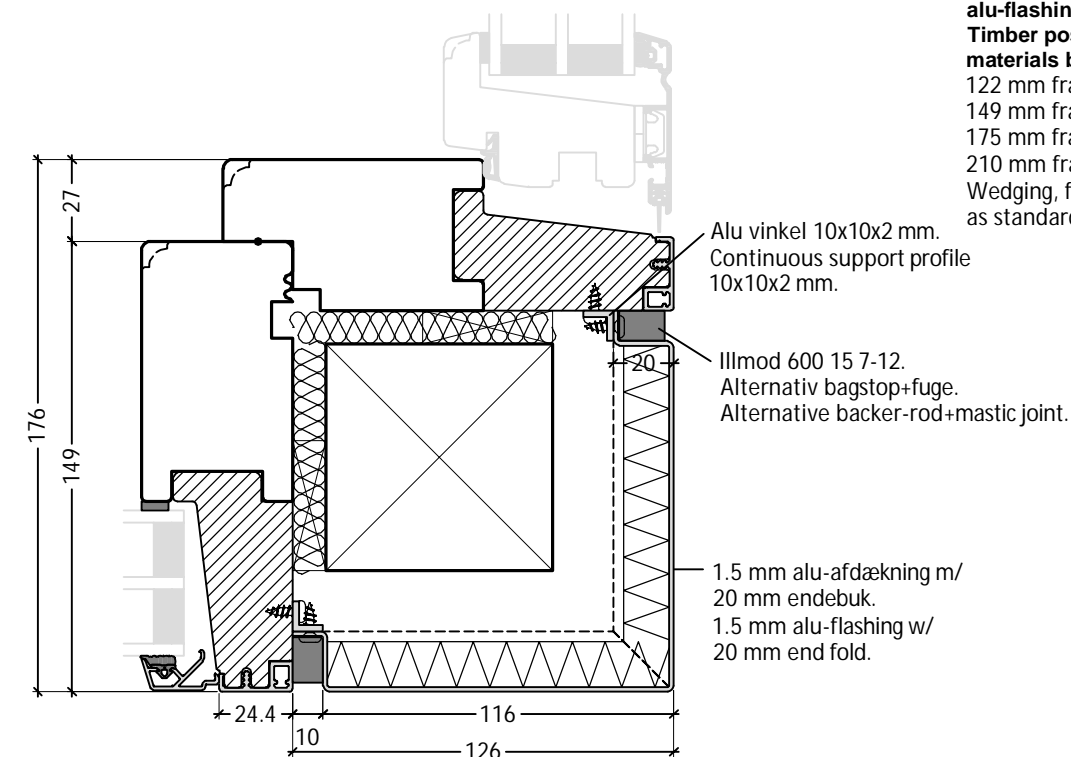
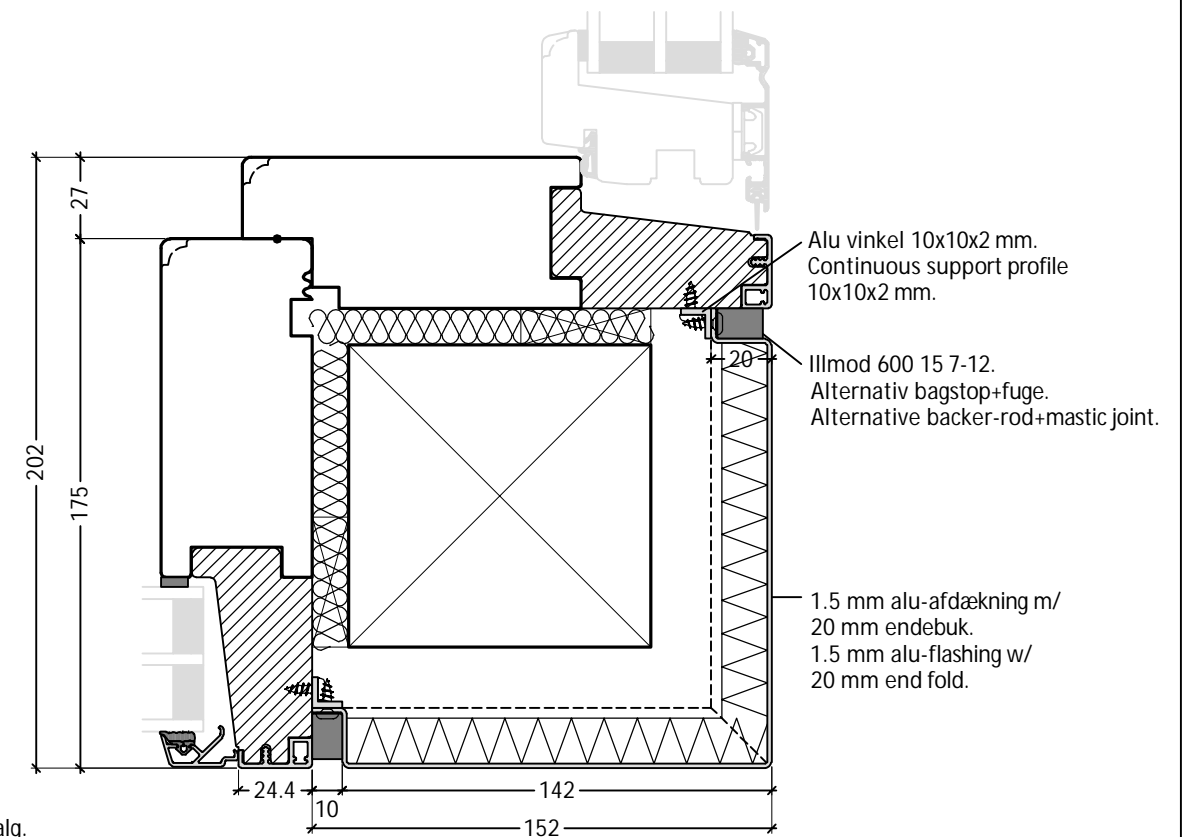
Standard løsning:
Alu vinkler og alu-afdækning er tilvalg.
Træ stolpe og øvrige montage materialer leveres af montør.
122 mm karm - 50x50 mm.
149 mm karm - 75x75 mm.
175 mm karm - 100x100 mm.
210 mm karm - 125x125 mm.
Opklodsning, skrueafstande og skrueplacering som standard montage.

Standard solution:
Continuous support profile and alu-flashing is optional.
Timber post and other installation materials by installer.
122 mm frame - 50x50 mm.
149 mm frame - 75x75 mm.
175 mm frame - 100x100 mm.
210 mm frame - 125x125 mm.
Wedging, fixing points and fixing areas as standard installation.



Alternativ løsning:
Alu-afdækning er tilvalg.
Special tilskårede træstolper er tilvalg.
Nogle af typerne kan bestilles ved Idealcombi.
Øvrige montage materialer leveres af montør.
122 mm karm - 79x79 mm.
149 mm karm - 106x106 mm.
175 mm karm - 132x132 mm.
210 mm karm - 167x167 mm.
Skrueafstande og -placering som standard montage.

Alternative solution:
Alu-flashing is optional.
Special cut wooden post is optional.
Some of the types can be ordered by Idealcombi.
Other installation materials by installer.
122 mm karm - 79x79 mm.
149 mm karm - 106x106 mm.
175 mm karm - 132x132 mm.
210 mm karm - 167x167 mm.
Fixing points and fixing areas as standard installation.



DK Standard hjørneløsning 90°
122/149/175/210 mm karm med fals

UK Standard corner solution 90°
122/149/175/210 mm rebated frame

www.idealcombi.dk

www.idealcombi.com

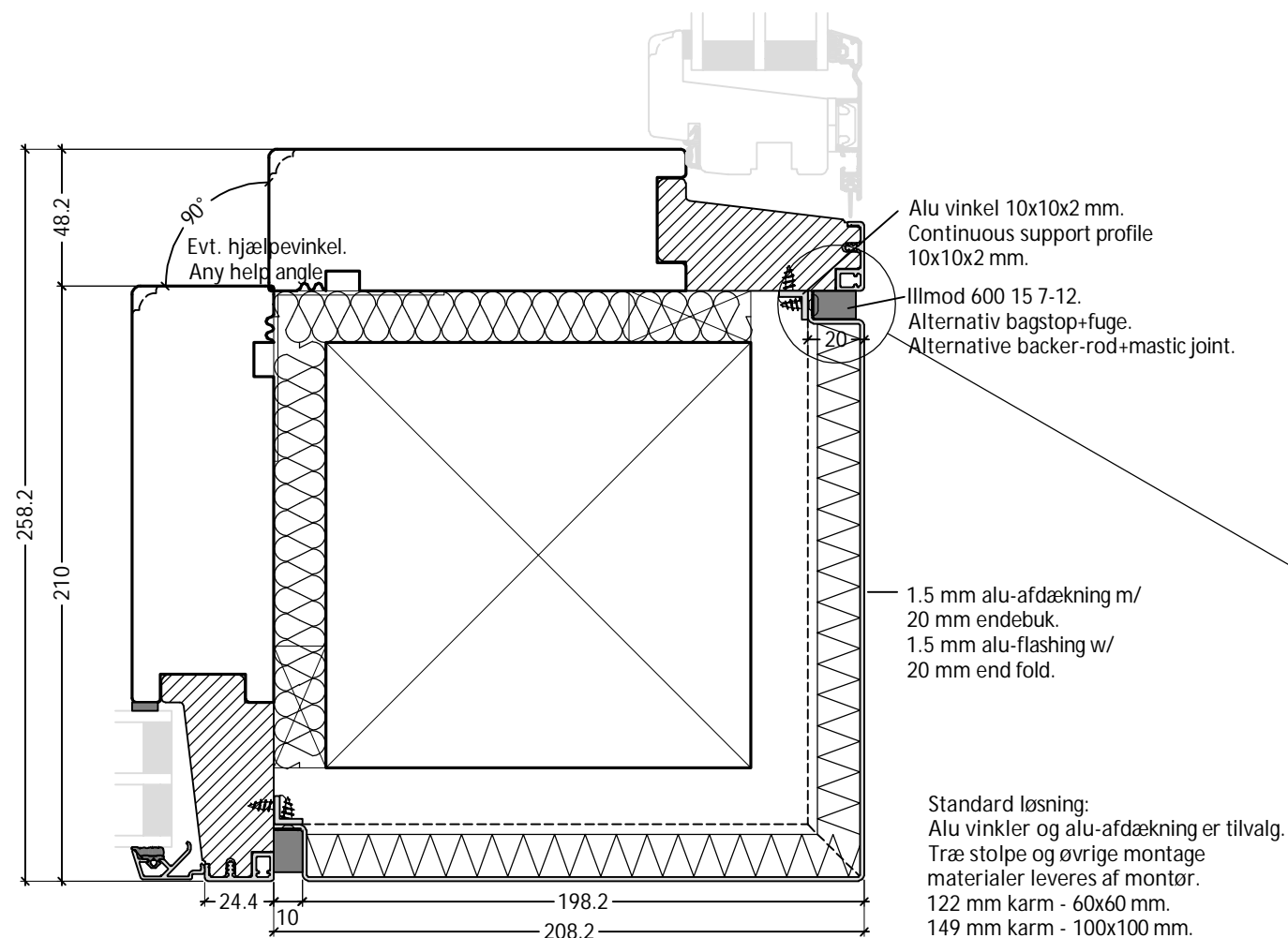
TYPE Frame IC

Rev. no. 02

Drawing no. FRAic-HJL101

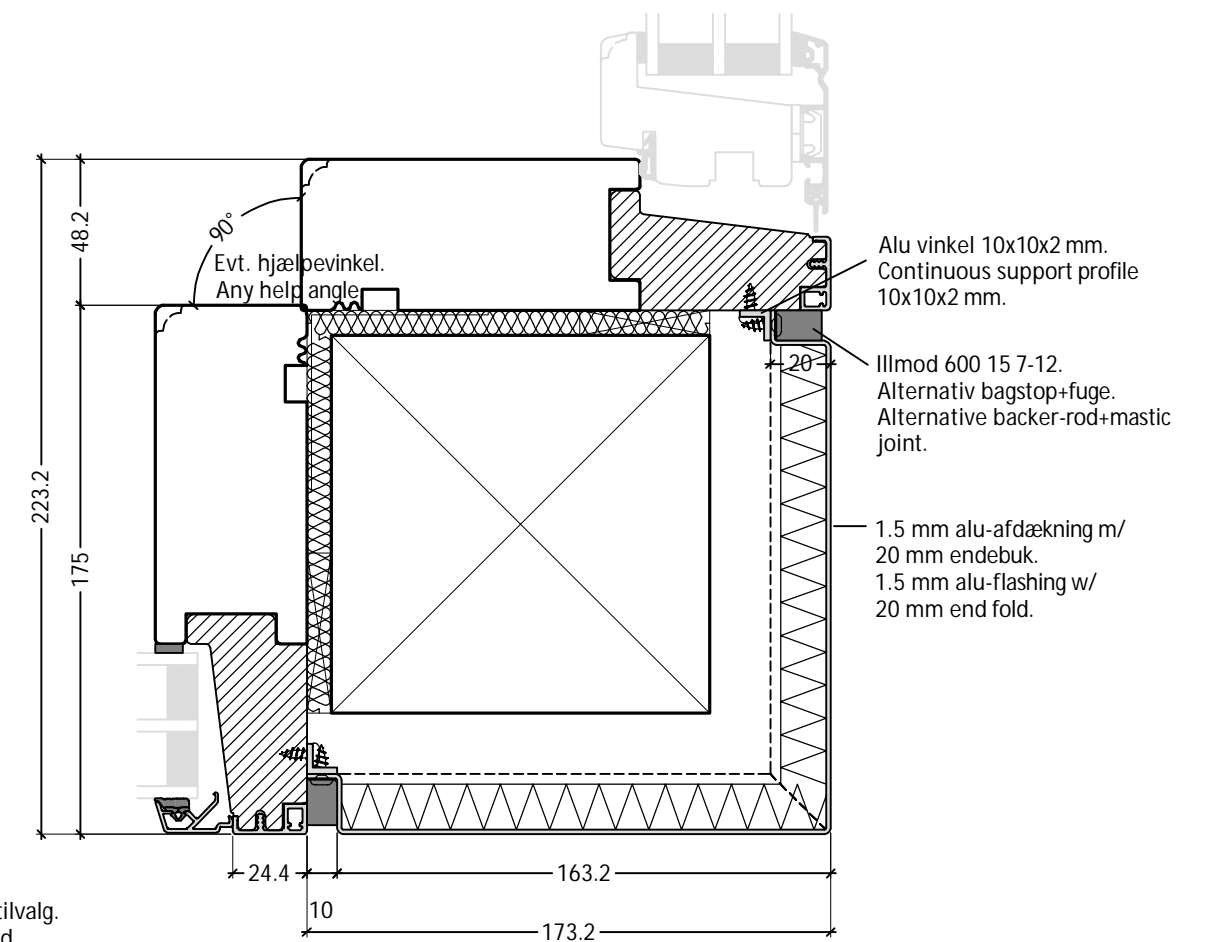
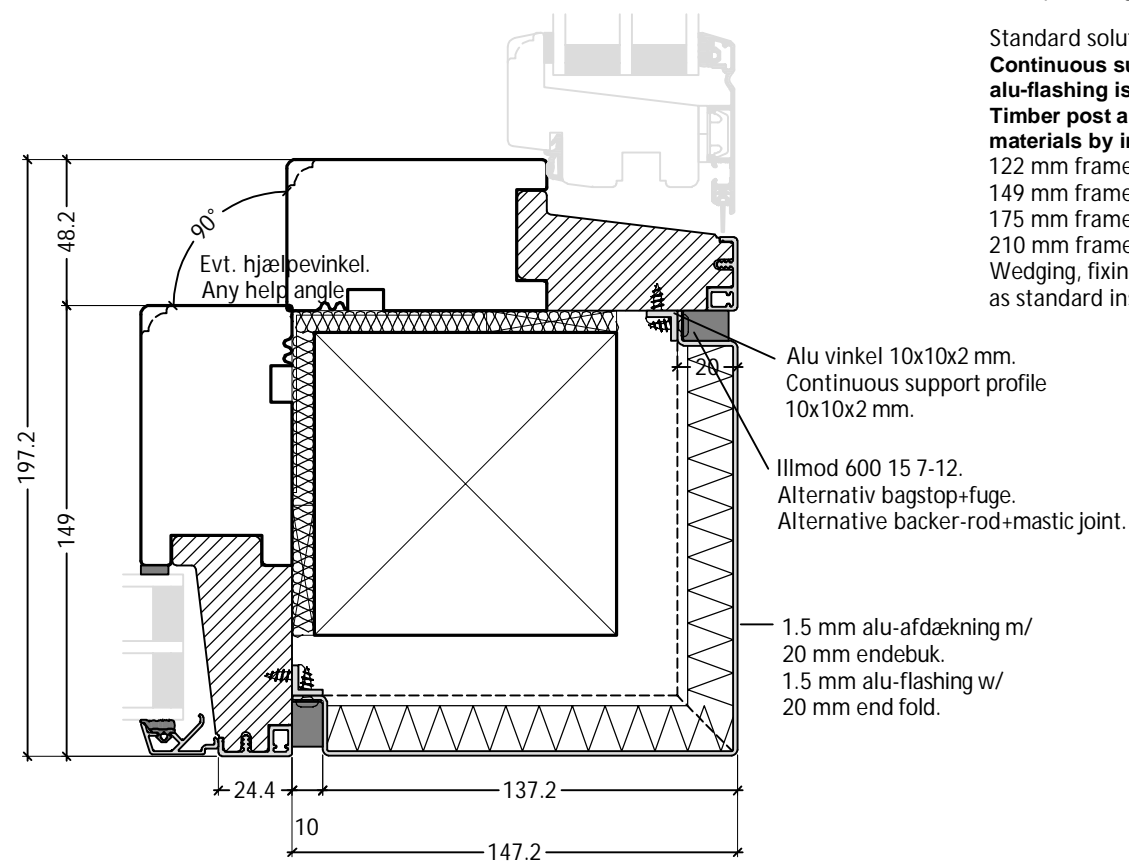
© Idealcombi A/S 2011. This material is the property of and copyright protected by IDEALCOMBI A/S.

idealcombi
Udvikler vinduet



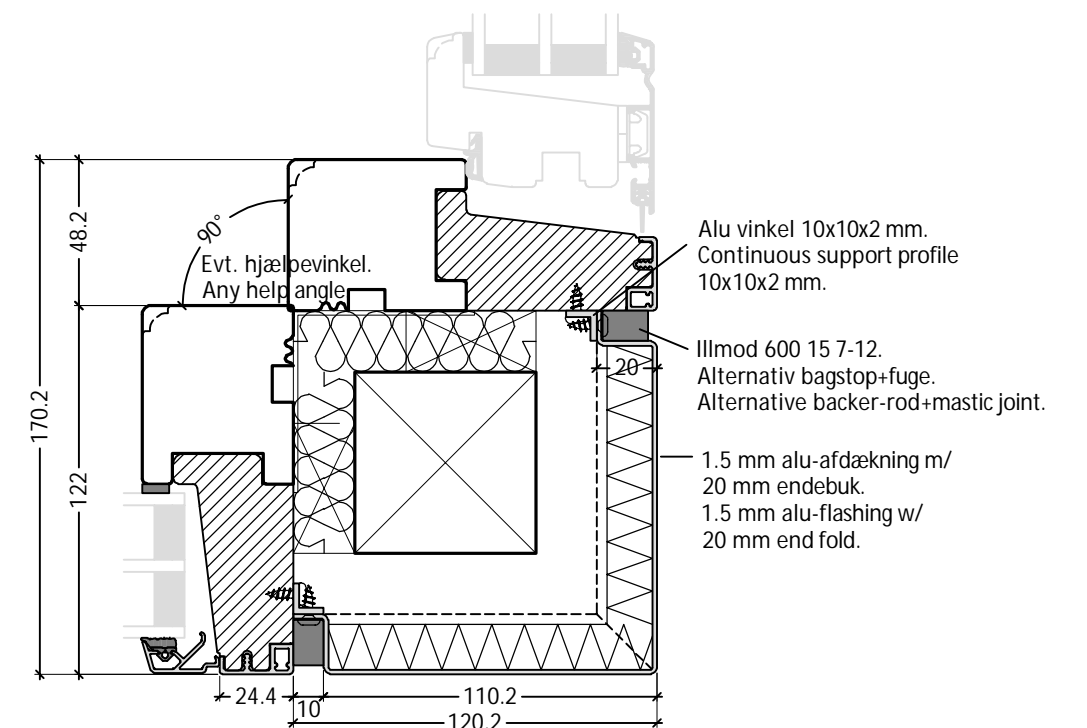
Standard løsning:
 Alu vinkler og alu-afdækning er tilvalg.
 Træ stolpe og øvrige montage materialer leveres af montør.
 122 mm karm - 60x60 mm.
 149 mm karm - 100x100 mm.
 175 mm karm - 125x125 mm.
 210 mm karm - 150x150 mm.
 Opklodsning, skrueafstande og skrueplacering som standard montage.

Standard solution:
Continuous support profiles and alu-flashing is optional.
Timber post and other installation materials by installer.
 122 mm frame - 60x60 mm.
 149 mm frame - 100x100 mm.
 175 mm frame - 125x125 mm.
 210 mm frame - 150x150 mm.
 Wedging, fixing points and fixing areas as standard installation.

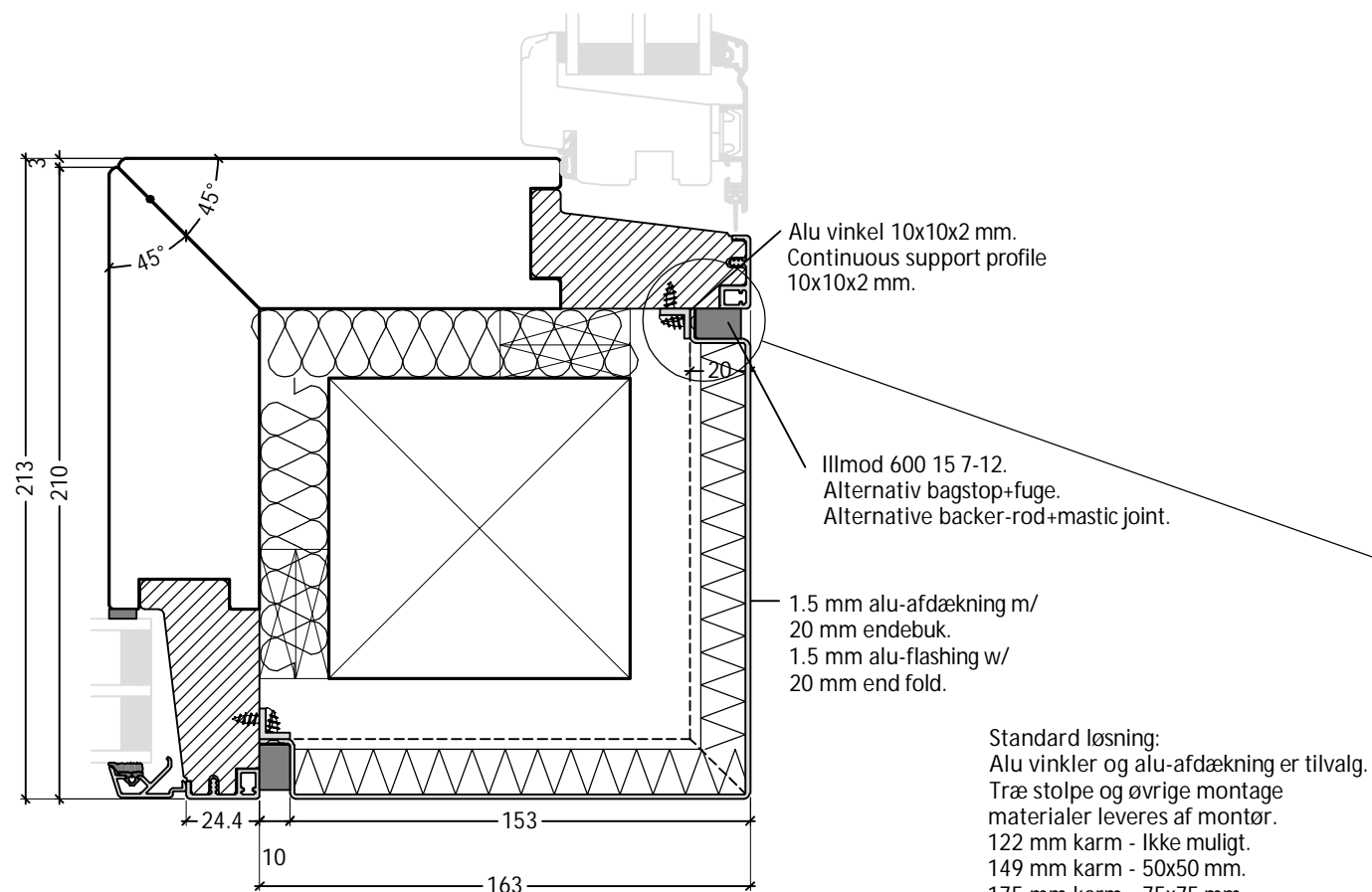


Alternativ løsning:
 Alu-afdækning er tilvalg.
 Special tilskårrede træstolper er tilvalg.
 Nogle af typerne kan bestilles ved Idealcombi.
 Øvrige montage materialer leveres af montør.
 122 mm karm - 100.25x100.25 mm.
 149 mm karm - 127.25x127.25 mm.
 175 mm karm - 153.25x153.25 mm.
 210 mm karm - 188.25x188.25 mm.
 Skrueafstande og -placering som standard montage.

Alternative solution:
Alu-flashing is optional.
 Special cut wooden post is optional.
 Some of the types can be ordered by Idealcombi.
 Other installation materials by installer.
 122 mm karm - 100.25x100.25 mm.
 149 mm karm - 127.25x127.25 mm.
 175 mm karm - 153.25x153.25 mm.
 210 mm karm - 188.25x188.25 mm.
 Fixing points and fixing areas as standard installation.

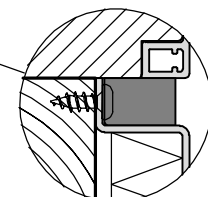
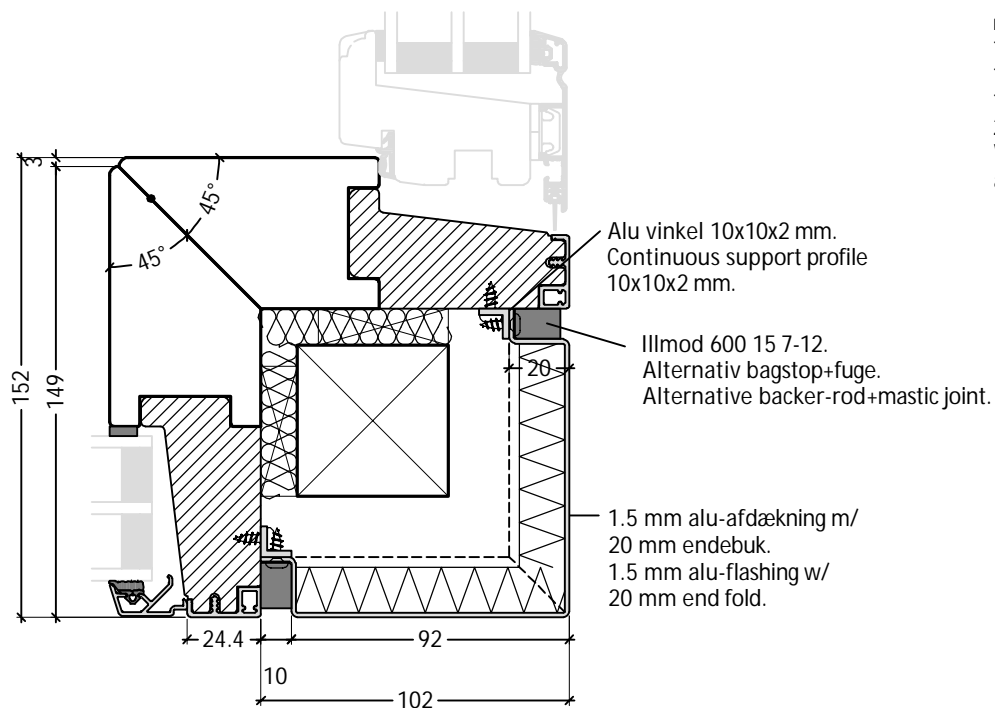


DK	Standard hjørneløsning 90° 122/149/175/210 mm karm	www.idealcombi.dk
UK	Standard corner solution 90° 122/149/175/210 mm frame	www.idealcombi.com



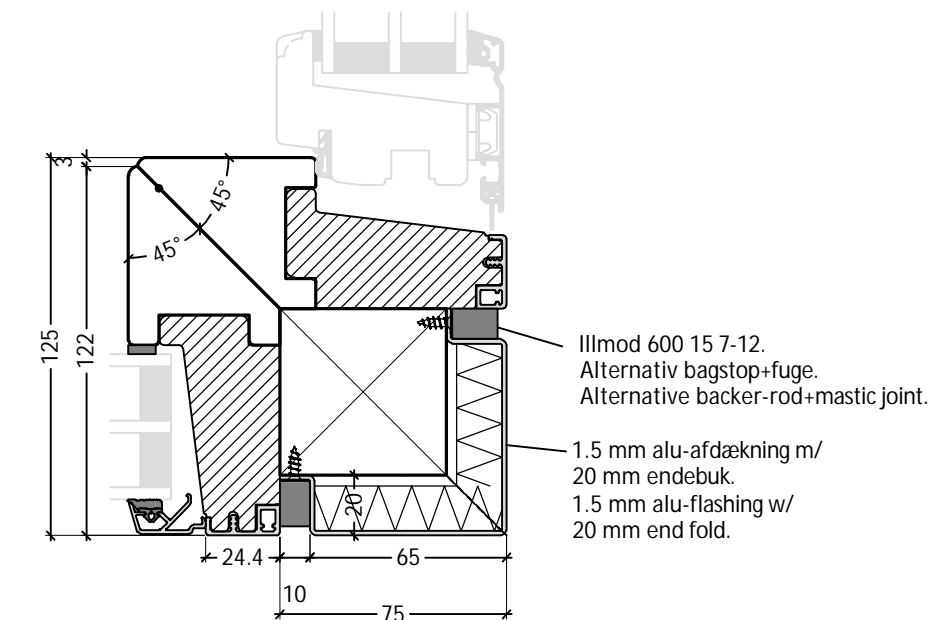
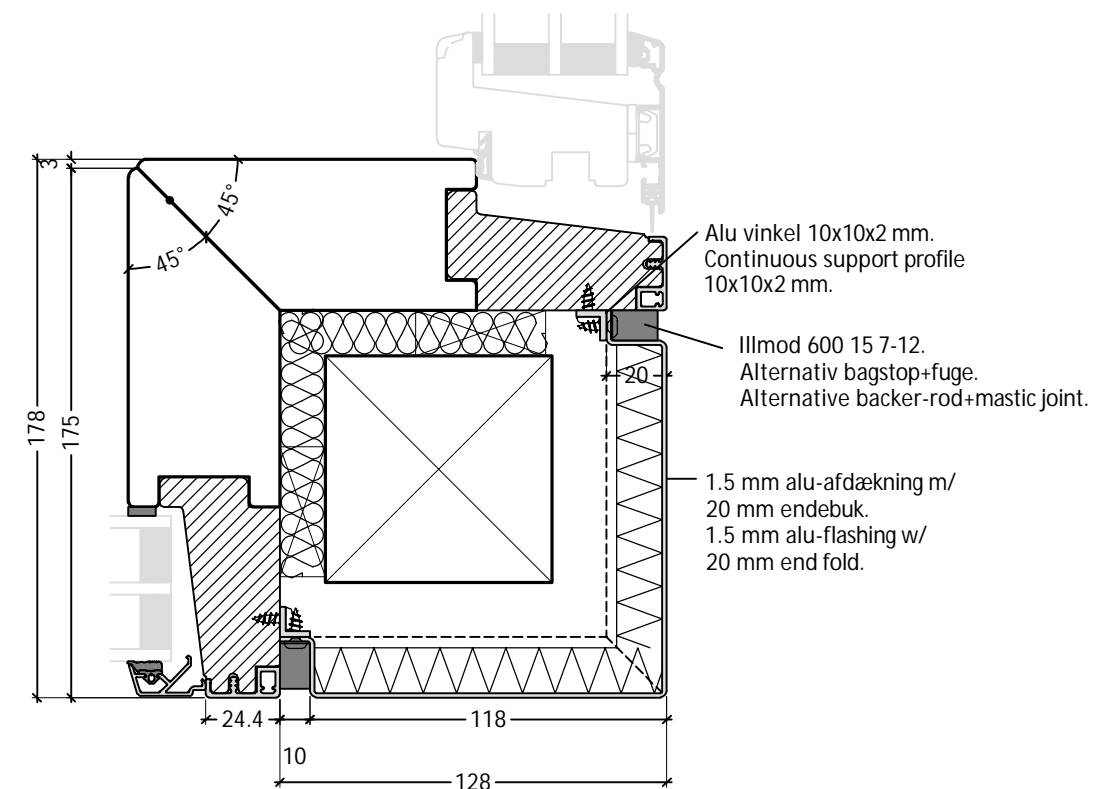
Standard løsning:
Alu vinkler og alu-afdækning er tilvalg.
Træ stolpe og øvrige montage materialer leveres af montør.
122 mm karm - Ikke muligt.
149 mm karm - 50x50 mm.
175 mm karm - 75x75 mm.
210 mm karm - 100x100 mm.
Opklodsning, skrueafstande og skrueplacering som standard montage.

Standard solution:
Continuous support profiles and alu-flashing is optional.
Timber post and other installation materials by installer.
122 mm frame - Impossible.
149 mm frame - 50x50 mm.
175 mm frame - 75x75 mm.
210 mm frame - 100x100 mm.
Wedging, fixing points and fixing areas as standard installation.



Alternativ løsning:
Alu-afdækning er tilvalg.
Special tilskårede træstolper er tilvalg.
Nogle af typerne kan bestilles ved Idealcombi.
Øvrige montage materialer leveres af montør.
122 mm karm - 55x55 mm.
149 mm karm - 82x82 mm.
175 mm karm - 108x108 mm.
210 mm karm - 143x143 mm.
Skrueafstande og -placering som standard montage.

Alternative solution:
Alu-flashing is optional.
Special cut wooden post is optional.
Some of the types can be ordered by Idealcombi.
Other installation materials by installer.
122 mm karm - 55x55 mm.
149 mm karm - 82x82 mm.
175 mm karm - 108x108 mm.
210 mm karm - 143x143 mm.
Fixing points and fixing areas as standard installation.



DK	Standard hjørneløsning 90° 122/149/175/210 mm karm med smigskæring	www.idealcombi.dk
UK	Standard corner solution 90° 122/149/175/210 mm bevelled frame	www.idealcombi.com

TYPE Frame IC Rev. no. 01 Drawing no. FRAic-HJL108

© Idealcombi A/S 2011. This material is the property of and copyright protected by IDEALCOMBI A/S.