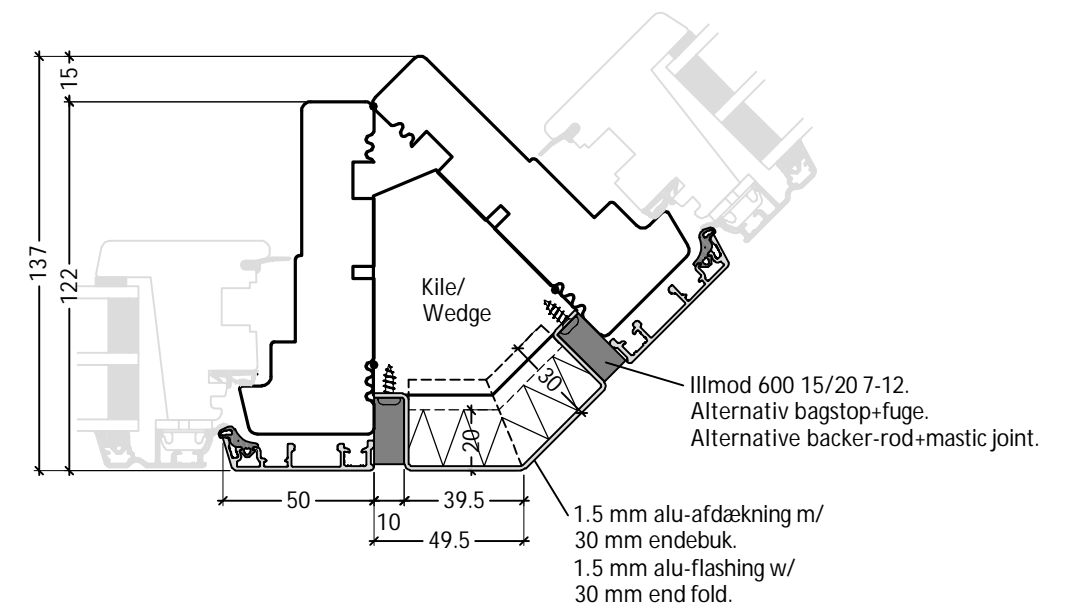


Standard løsning:
 Alu-afdækning og kilerer tilvalg.
 Øvrige montage materialer
 leveres af montør.
 122 mm karm - HK66.
 149 mm karm - HK67.
 Skruafstande og skruelacering
 som standard montage.

Standard solution:
Alu-flashing and wedge is optional.
**Other installation materials by
 installer.**
 122 mm frame - HK66.
 149 mm frame - HK67.
 Fixing points and fixing areas
 as standard installation.



DK	Standard hjørneløsning 45° 122/149 mm karm med kile, indadgående	www.idealcombi.dk
UK	Standard hjørneløsning 45° 122/149 mm frame with wedge, inward opening	www.idealcombi.com

TYPE Frame I Rev. no. 01 Drawing no. FRAic-HJL113

© Idealcombi A/S 2011. This material is the property of and copyright protected by IDEALCOMBI A/S.