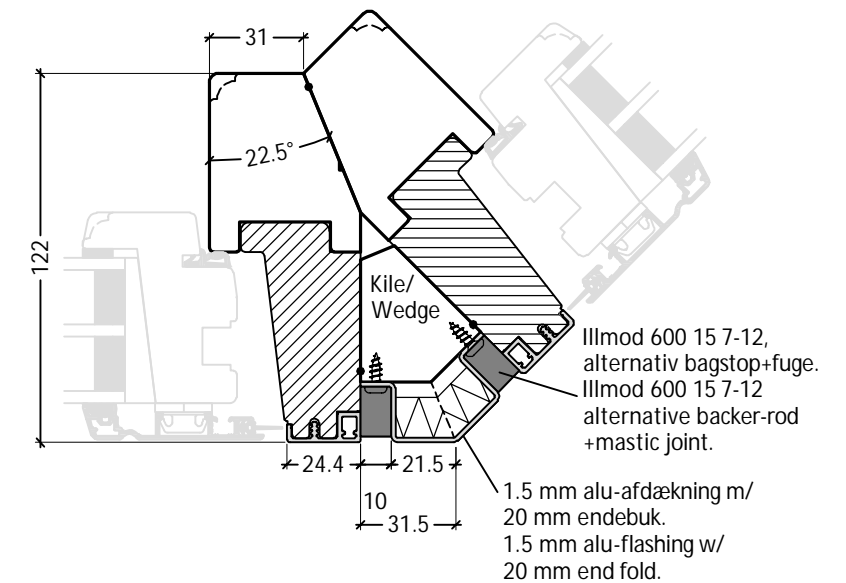
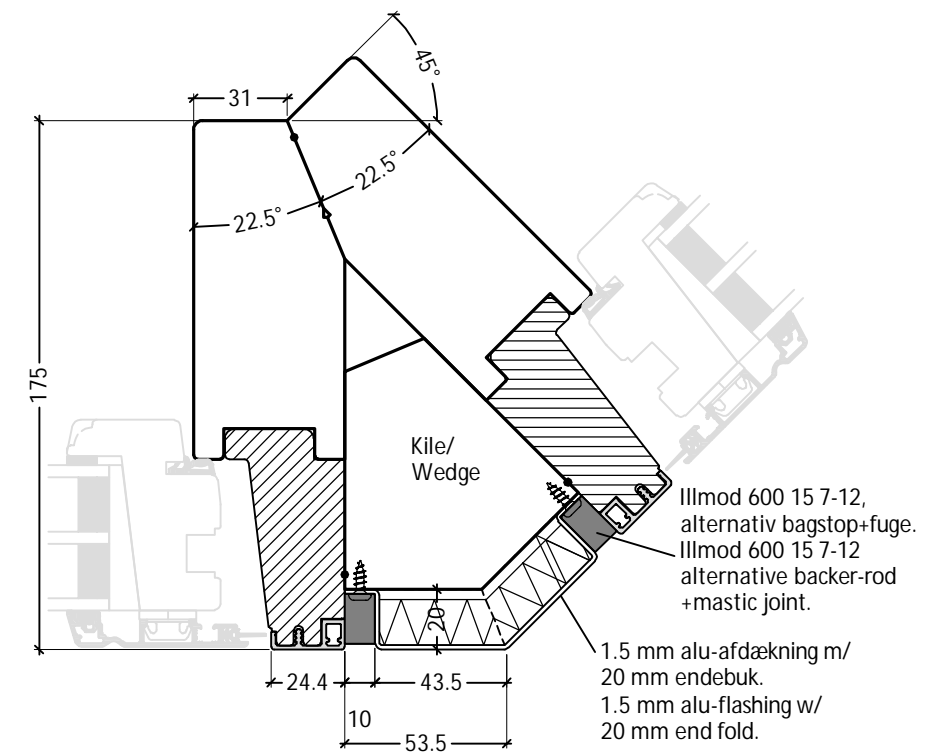


Standard løsning:
 Alu-afdækning og kilerer tilvalg.
 Øvrige montage materialer leveres af montør.
 122 mm karm - HK73.
 149 mm karm - HK72.
 175 mm karm - HK71.
 210 mm karm - HK70.
 Skruer afstande og skruer placering som standard montage.

Standard solution:
Alu-flashing and wedge is optional.
Other installation materials by installer.
 122 mm frame - HK73.
 149 mm frame - HK72.
 175 mm frame - HK71.
 210 mm frame - HK70.
 Fixing points and fixing areas as standard installation.

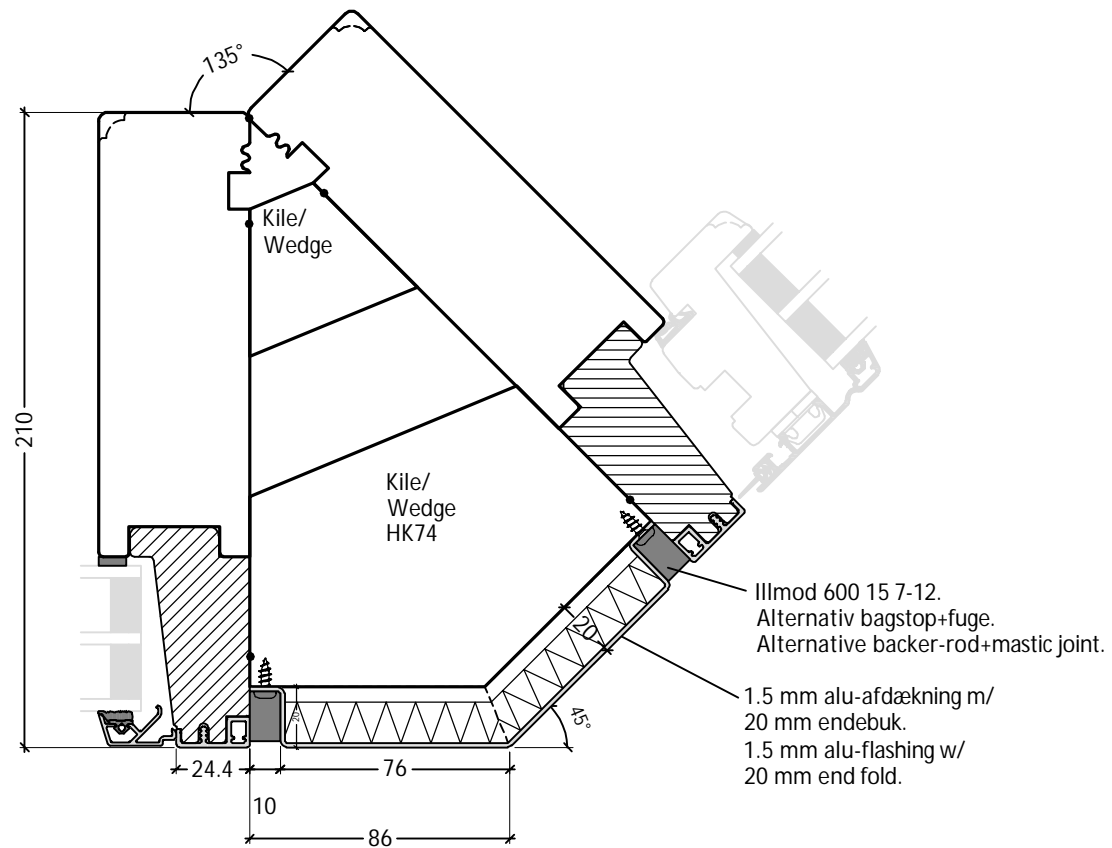


DK	Standard hjørneløsning 45° 122/149/175/210 mm karm med smigskæring	www.idealcombi.dk
----	---	-------------------

UK	Standard corner solution 45° 122/149/175/210 mm bevelled frame	www.idealcombi.com
----	---	--------------------

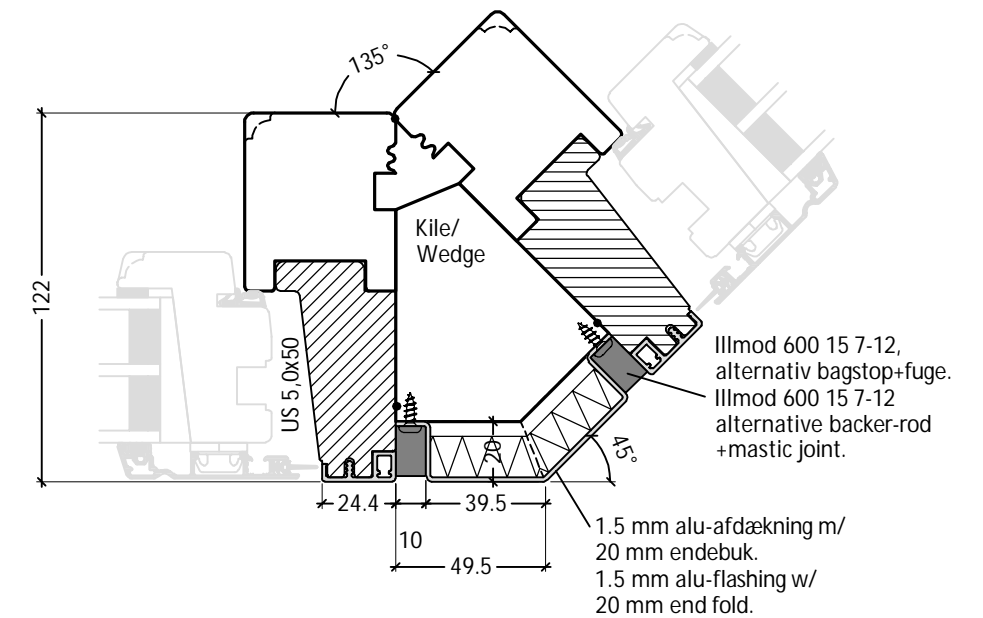
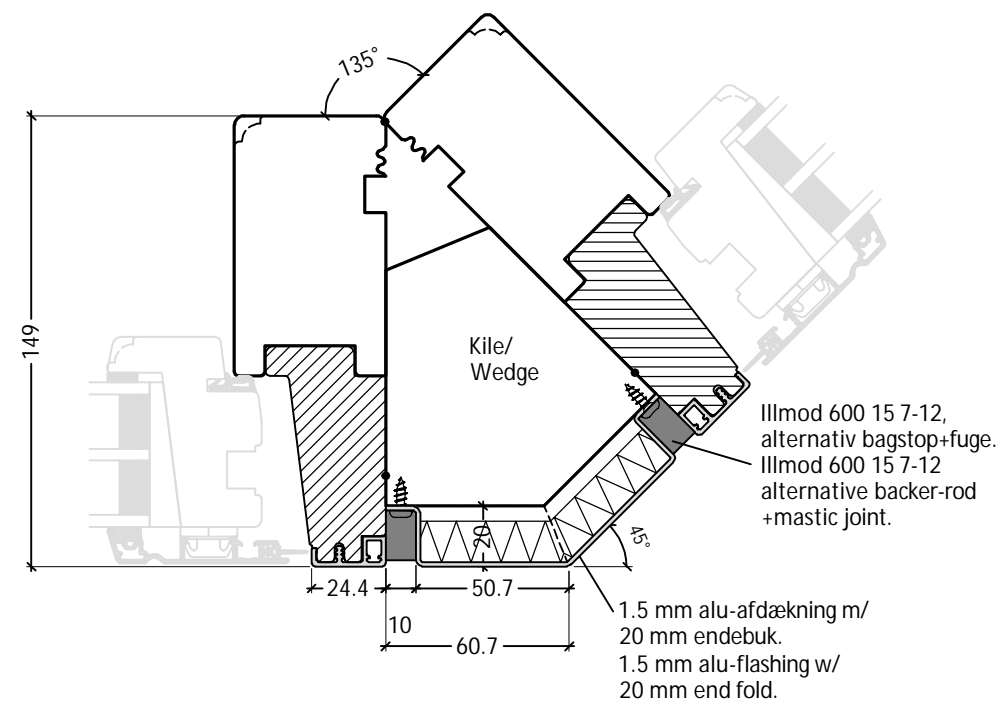
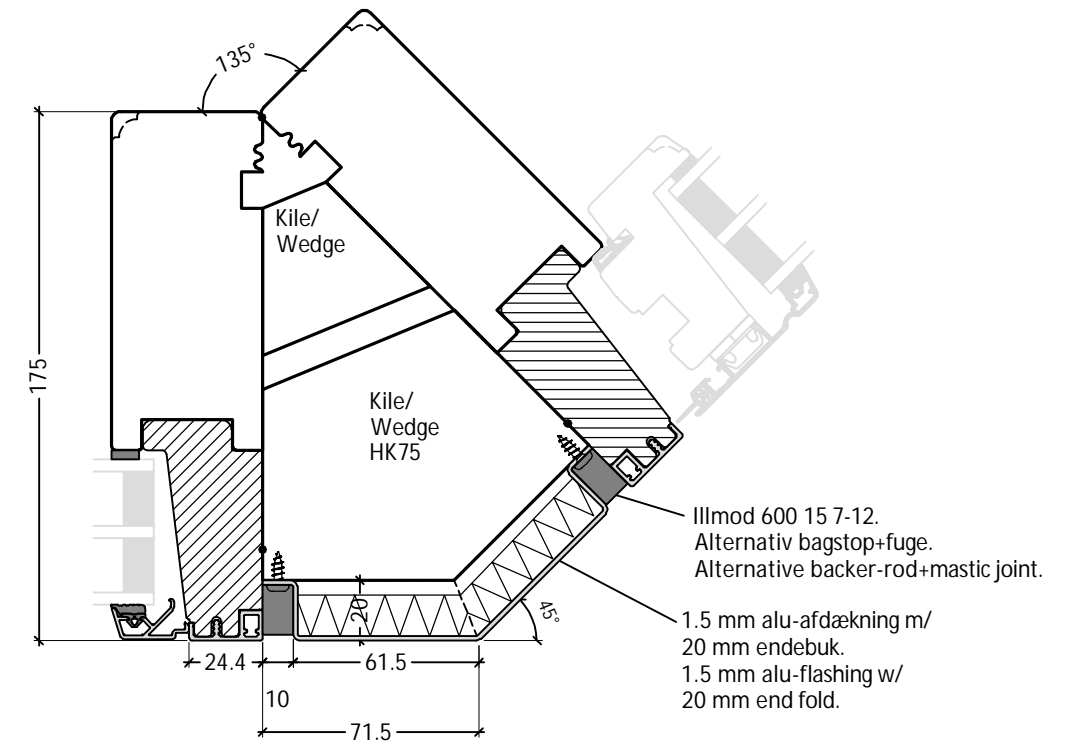
TYPE	Frame IC	Rev. no. 03	Drawing no. FRAic-HJL103
------	----------	-------------	--------------------------

© Idealcombi A/S 2011. This material is the property of and copyright protected by IDEALCOMBI A/S.



Standard løsning:
 Alu-afdækning og kilerer tilvalg.
 Øvrige montage materialer leveres af montør.
 122 mm karm - HK77.
 149 mm karm - HK76.
 175 mm karm - HK42 + HK75.
 210 mm karm - HK42 + HK74.
 Skruer afstande og skruer placering som standard montage.

Standard solution:
Alu-flashing and wedge is optional.
Other installation materials by installer.
 122 mm frame - HK77.
 149 mm frame - HK76.
 175 mm frame - HK42 + HK75.
 210 mm frame - HK42 + HK74.
 Fixing points and fixing areas as standard installation.



DK	Standard hjørneløsning 45° 122/149/175/210 mm karm med kile	www.idealcombi.dk
UK	Standard corner solution 45° 122/149/175/210 mm frame with wedge	www.idealcombi.com